

CAT.6A 10GE Field Assembly Cable Connector

Part no.: MP0041

Technical Features

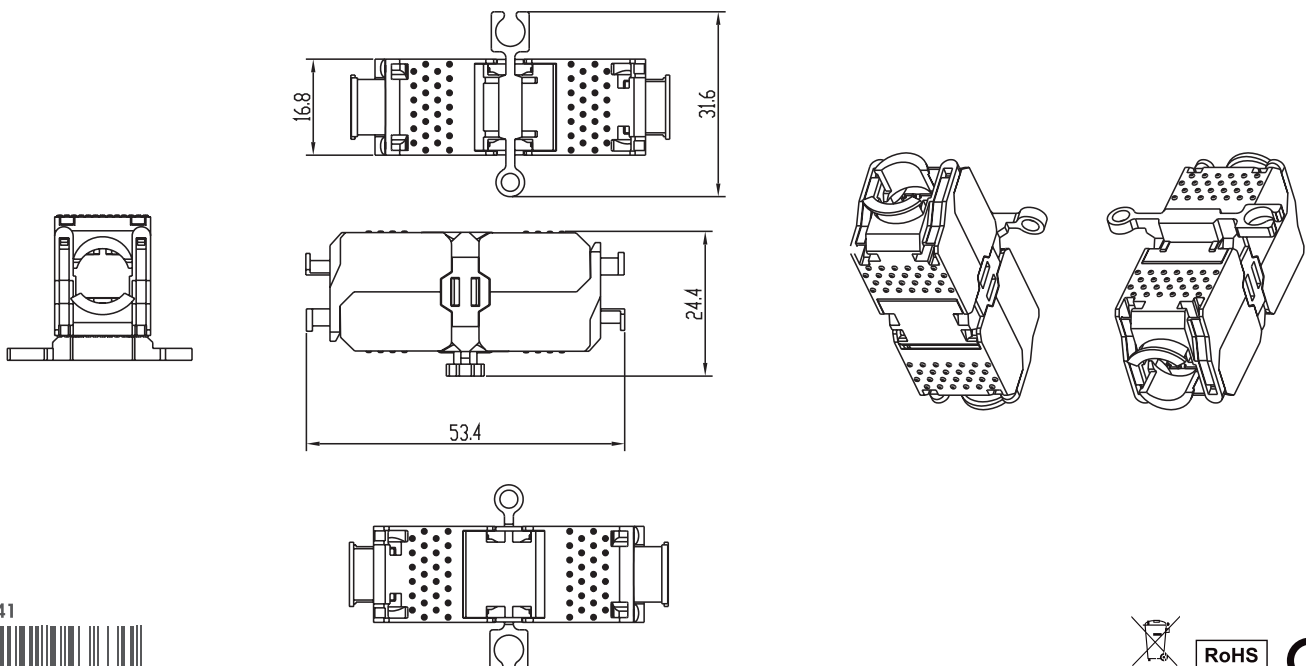
Field termination Cat.6A coupler

For AWG22-26 solid copper cable

According to ISO/IEC11801, TIA568-C.2

Zinc-alloy full shielded metal housing

Technical Drawings



MP0041



4 052792 043631

Made in China

www.logilink.de



RoHS
compliant



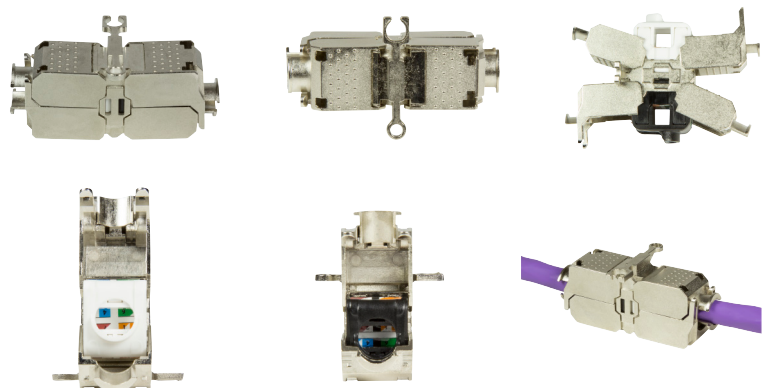
* The specifications and pictures are subject to change without notice.
*All trade names referenced are the registered trademark of their respective owners.

Package Contents

1 x CAT.6A 10GE Field Assembly Cable Connector

Packaging Informations

Packing Dimension	120 x 80 x 30mm (1pc/pe-bag)
Packing Weight	0.04kg
Carton Dimension	330 x 300 x 320mm
Carton Q'ty	500pcs
Carton Weight	20kg



MP0041



Made in China

www.logilink.de



RoHS
compliant



* The specifications and pictures are subject to change without notice.
*All trade names referenced are the registered namework of their respective owners.