

52020513	<b>DATA SHEET</b>	
Valid from: 03.07.2018	<b>SKINDICHT® WN-M</b>	

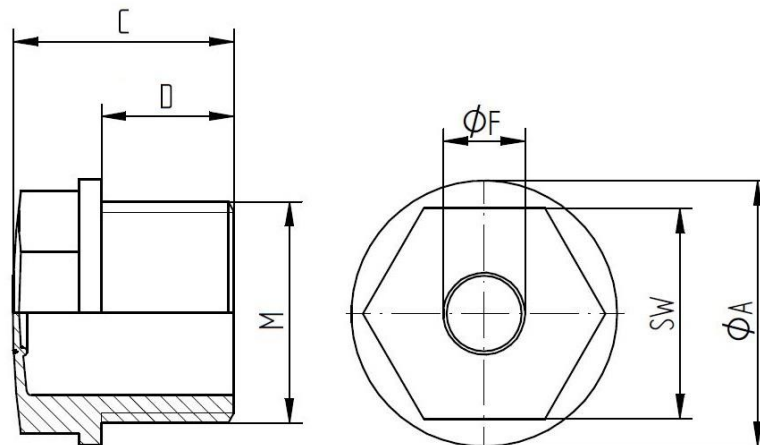
The SKINDICHT® WN-M is a closed, twisting sleeve made of Polyethylene, with pierce able elastic plastic membrane. Resistant against acids, bases and alcohols, highly electric and dielectric properties.



**Technical features:**

Connecting thread	M16x1,5 up to M63x1,5 acc. to EN 60423
Material	Polyethylene
Tensile strengths	18-30 N/mm
Protection class	IP54 acc. to EN 60529
Temperature	-30° C up to +80° C
Colour	RAL 7035 light-grey

**Norm references:**



M	SW [mm]	Ø A [mm]	C [mm]	D [mm]	Ø F [mm]		Article No.
					min	max	
M16x1,5	15	20	17	10	5	10	52020513
M20x1,5	19	24	20	12	8	13,5	52020523
M25x1,5	24	28	22	12	9	16	52020533
M32x1,5	30	37	25	14	11	22	52020543
M40x1,5	37	45	28	16	17	24	52020553
M50x1,5	46	55,5	31	18	22	35	52020563
M63x1,5	56	68,5	35	20	24	43	52020573

For more information please see our current catalogue. Please do not hesitate to contact our laboratory if there are any questions regarding resistance against aggressive agents and special oil.

Creator: T. Dvoulety /PDP Released: DAMU1/PDP	Document: DB52020513EN Version: 02	Page 1 of 1
--	---------------------------------------	-------------