

**POLAM-ELTA Sp. z o.o.**

LED DIODES

LED CONTROL LAMPS

[www.polamelta.com](http://www.polamelta.com)

e-mail: [polamelta@polamelta.com.pl](mailto:polamelta@polamelta.com.pl)

Jerozolimskie Avenue 202

02-486 Warsaw, POLAND

tel. (+48) 22-837-22-07

fax (+48) 22-207-24-28



---

**COMPLIANCE DECLARATION**

**NR 1/09/2007**

**Producer:** POLAM-ELTA Sp. z o.o.  
Jerozolimskie Avenue 202  
02-486 Warsaw

**KRS Nr: 0000190790**  
**REGON: 001416903**

We declare with a full responsibility that **LED signal lamps  $\phi 5$**  we manufacture: **LG , LW , LY , LR , LB , LO , LRG , LRY , LYG , LRGY** (parameters in accordance with catalogue data) comply requirements imposed by:

**1. Low Voltage Directive**

LVD 2006/95/WE

**2. The standard norms (relating to the particular parts of a product):**

- PN EN 612 36:2002 Works under voltage – bipolar indexes Nn
- PN-E-90500-1:2001 Wires of polyvinyl chloride insulation 450/750
- PN-80/E-85050 miniature light bulbs of general use
- PN-EN 983:2000 miniature light bulbs

**The year of obtaining CE sign: 07**

Warszawa 10.09.2007

.....  
*Miejsce i data wystawienia*

PREZES ZARZĄDU

*Ireneusz Tonder*

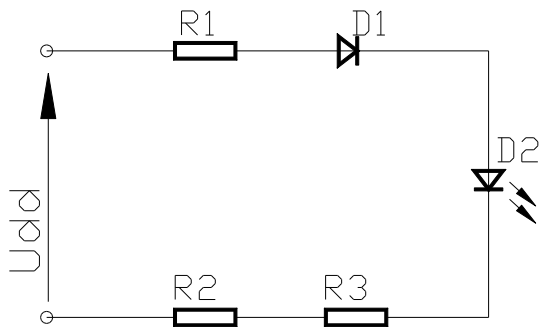
.....  
*Nazwisko, stanowisko i podpis  
osoby upoważnionej*

## 1. Product description:

The declaration is concerned about LED signal lamps produced for a number of voltage ranging 24V-230V – AC (24 V; 30 V; 48V; 60V; 110V; 220V; 230V). The lamps are designed for electric accessories use.

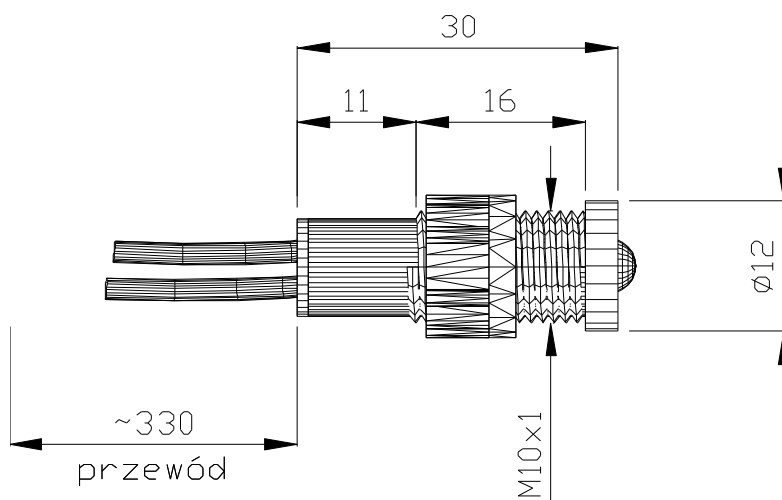
## 2. Technological documentation:

All the signal LED lamps are based on the following circuitry:  
**Half-wave rectifier**



The elements of casings are made from ABS material. Electric connections are made on glass-epoxy laminate of 1 mm ply. The main wire LGY 0,5v is of 0,5 mm<sup>2</sup> section 450V / 750 V or connectors j 2.8. Tightness level lamp: IP40. Ambient temperature: -40°C to +70°C. For 230 V-AC voltage, power consumption is 0,8W and for 24V-AC, it is 0,25 W.

### - signal lamp $\phi 5$



## LED CONTROL LAMPS $\phi 5$



### Technical parameters of lamps (230V-AC)

Color	Luminosity (mcd)	Wave length (nm)	Power
red standard [R] mat	9 - 11	635	0,8 W
red super [R] mat	80 - 100	635	0,8 W
red super + [R] mat	260 - 300	635	0,8 W
green [G] mat	550 - 650	530	0,8 W
yellow standard [Y] mat	20 - 25	590	0,8 W
yellow super [Y] mat	150 - 190	590	0,8 W
yellow super + [Y] mat	250 - 350	590	0,8 W
orange [O] mat	230 - 280	610	0,8 W
blue [B] mat	180 - 220	470	0,8 W
white [W] mat	600 - 900	-	0,8 W

mat :  $201/2 = 180^\circ$ , P = 0,8 W

### Technical parameters of lamps (24V-AC/DC)

Color	Luminosity (mcd)	Wave length (nm)	Power AC / DC
red standard [R] mat	25 - 28	635	0,25 / 0,5 W
red super [R] mat	150 - 190	635	0,25 / 0,5 W
red super + [R] mat	600 - 800	635	0,25 / 0,5 W
green [G] mat	900 - 1000	530	0,25 / 0,5 W
yellow standard [Y] mat	50 - 80	590	0,25 / 0,5 W
yellow super [Y] mat	350 - 450	590	0,25 / 0,5 W
yellow super + [Y] mat	500 - 700	590	0,25 / 0,5 W
orange [O] mat	600 - 750	610	0,25 / 0,5 W
blue [B] mat	380 - 420	470	0,25 / 0,5 W
white [W] mat	1500 - 2000	-	0,25 / 0,5 W

mat :  $201/2 = 180^\circ$ , P = 0,25 / 0,5 W