

Data sheet Product MK 13 X 2

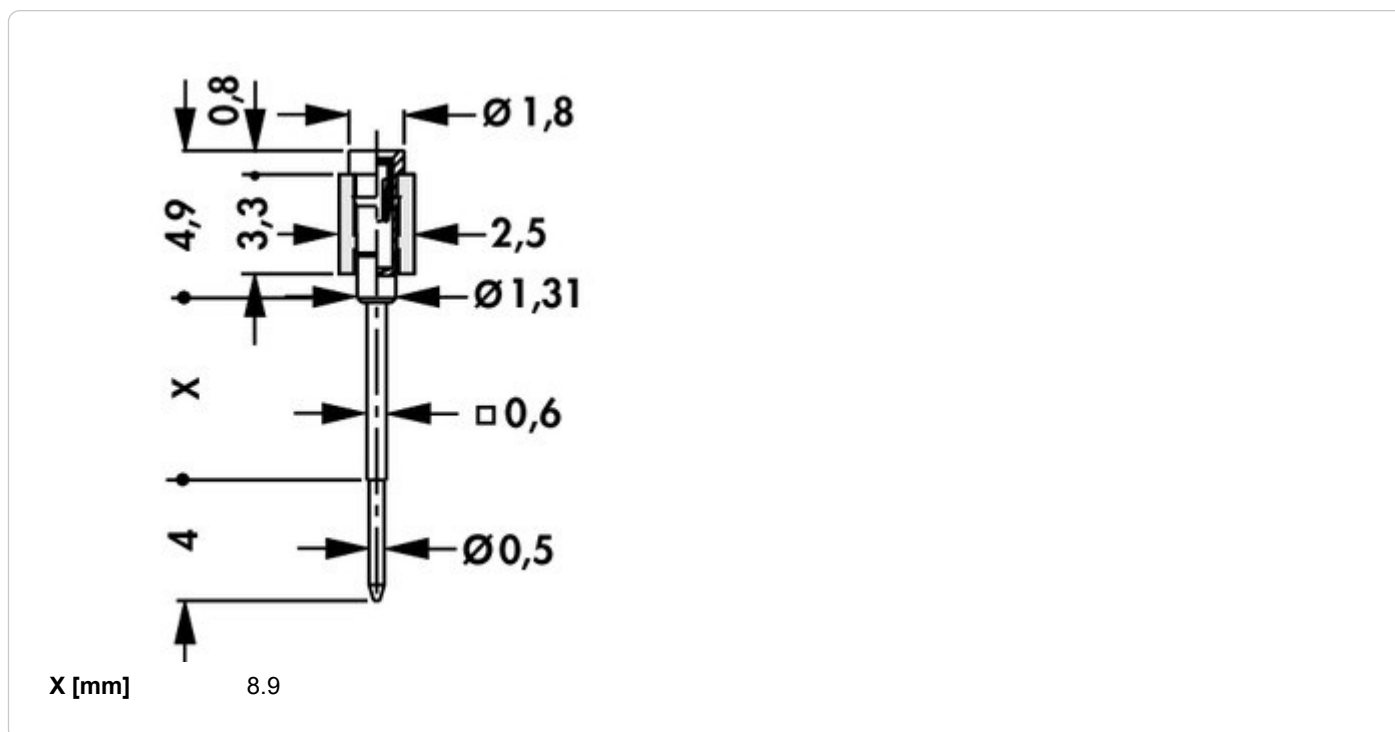
PCB connectors > Female headers
for \varnothing 0.5 mm



Features

grid	2.54 mm
no. of contacts	1 - 50
contact material	CuZn-alloy
surface contact / contact sleeve	Ni+4...6 μ m Sn
surface of contact	<ul style="list-style-type: none"> • gold-plated • tin-plated
contact spring	gold-plated
inner contact spring material	CuBe-alloy
inner contact spring surface	Ni+0,75 μ m Au
type internal spring	4-fingers
plugability for circuit points	<ul style="list-style-type: none"> • \square0,22x0,25mm... \square0,4x0,55mm • \varnothing0,4...0,56mm
insert depth	2.5...3.6mm
plug-in cross-section	\varnothing 0,5mm
insertion / drawing force	1.8 N/1.4 N
shock resistance	50 g
volume resistance	\leq 10 m Ω
vibration resistance max.	15 g
capacity between two adjacent contacts	\leq 0,4 pF
nominal current	1.5 A
nominal voltage	60 V DC
test voltage	1000 V
insulating body material	PA 4.6. GF
temperature range	<ul style="list-style-type: none"> • -40°C... +163°C • (260°C/10 s)
class of flammibility	UL 94 V-0
version	distance pin
specific insulation resistance	$>10 \cdot 10^{7.0} \Omega \cdot m$
connection type	soldering
reflow solderable	yes

Technical Drawing



Fischer Elektronik GmbH & Co. KG
DEUTSCHLAND • GERMANY • ALLEMAGNE

Nottebohmstraße 28
58511 Lüdenscheid

Telefon +49 2351 435-0
Telefax +49 2351 45754

info@fischerelektronik.de
www.fischerelektronik.de