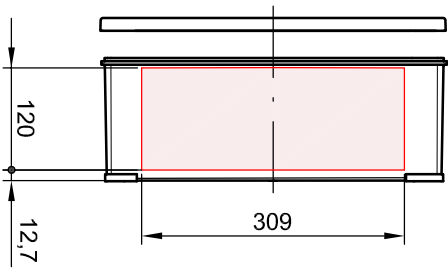
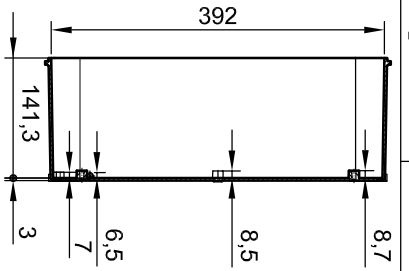
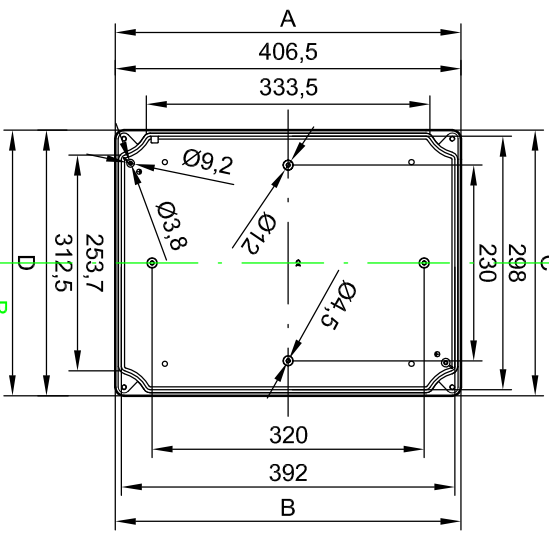
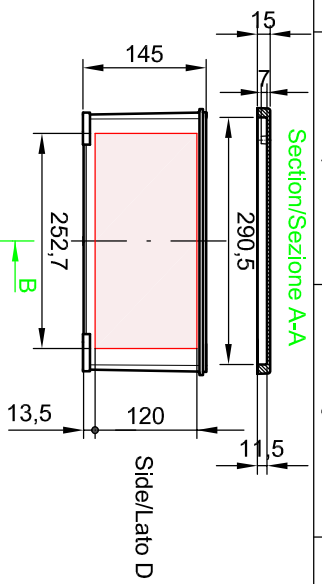


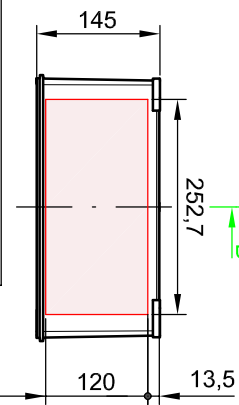
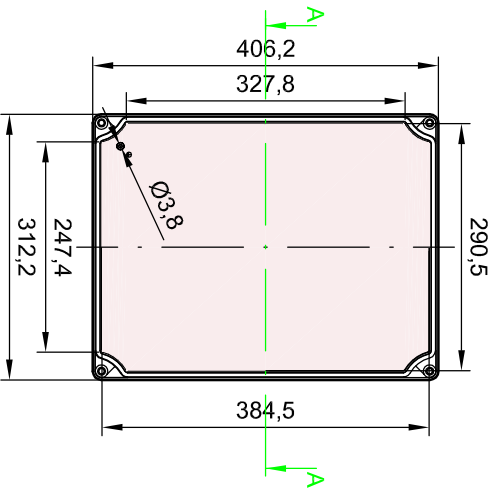
Section/Sezione B-B



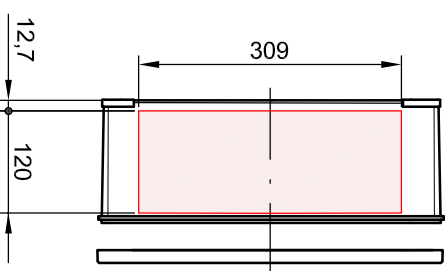
Section/Sezione A-A



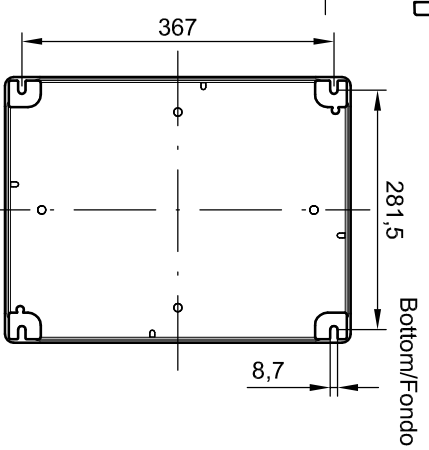
Cover/Coperchio



Side/Lato A



Side/Lato C



Bottom/Fondo

| Mod. | Dat. | Name | Detail | Date | Name |
|------|------------|------|--------|------------|------|
| | 01.12.2014 | E.L. | | | |
| | | | Insp. | | |
| | | | Stat. | 19.02.2013 | E.L. |

S-8000 series, aluminium enclosures, S7
 407X313x157, Grey RAL 9006, STD
 Cassette in alluminio, serie S-8000, S7
 407X313x157, Grigio RAL 9006, STD

molex

8000.6267.0

Scala
1 : 8