

NTE2544 Silicon NPN Transistor Darlington Driver

Features:

- Darlington Connction
- High DC Current Gain
- Low Dependence of DC Current Gain on Temperature

Applications:

- Motor Driver
- Printer Hammer Driver
- Relay Driver

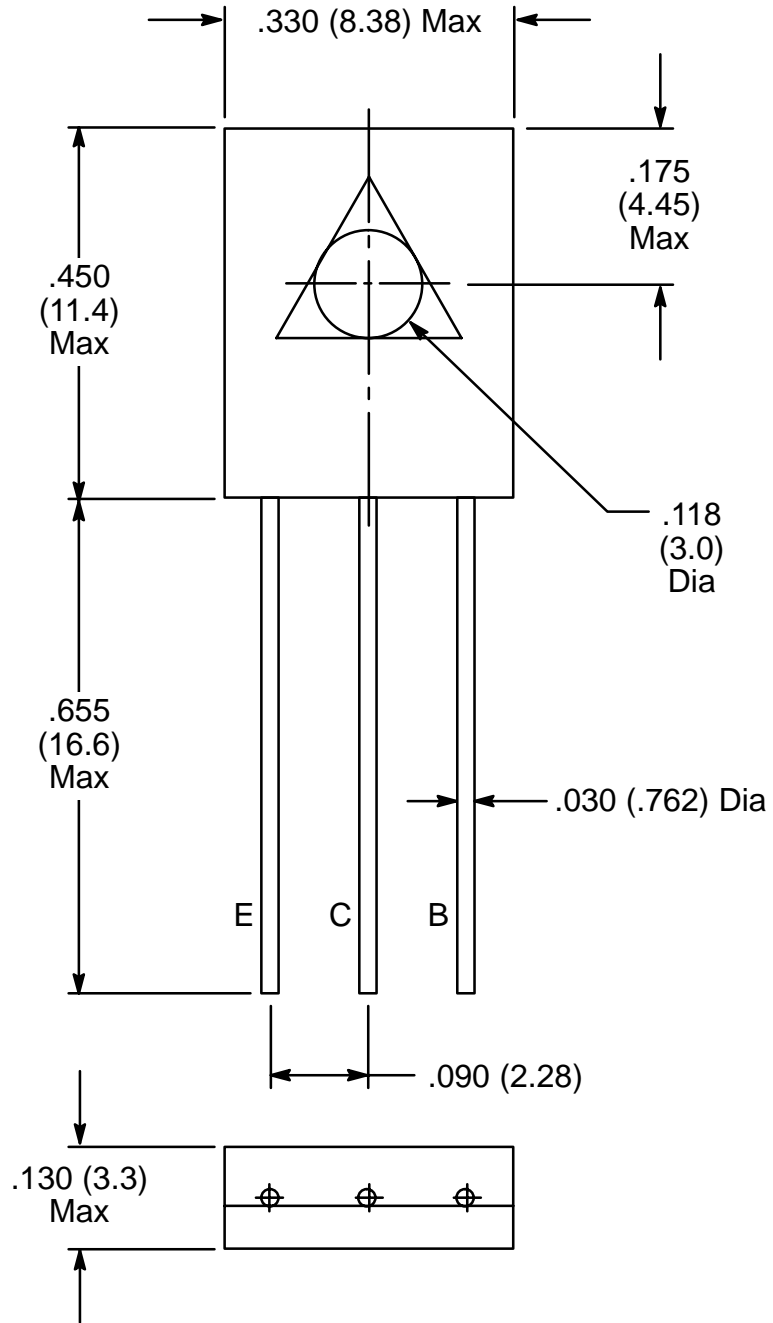
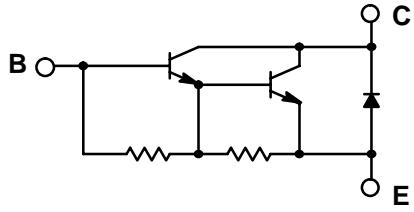
Absolute Maximum Ratings: ($T_A = +25^\circ\text{C}$ unless otherwise specified)

Collector–Base Voltage, V_{CBO}	120V
Collector–Emitter Voltage, V_{CEO}	120V
Emitter–Base Voltage, V_{EBO}	6V
Collector Current, I_C	
Continuous	1.5A
Peak	3.0A
Collector Dissipation, P_C	
$T_A = +25^\circ\text{C}$	1W
$T_C = +25^\circ\text{C}$	10W
Operating Junction Temperature, T_J	+150°C
Storage Temperature Range, T_{stg}	–55° to +150°C

Electrical Characteristics: ($T_A = +25^\circ\text{C}$ unless otherwise specified)

Parameter	Symbol	Test Conditions	Min	Typ	Max	Unit
Collector Cutoff Current	I_{CBO}	$V_{CB} = 100V, I_E = 0$	–	–	10	μA
Emitter Cutoff Current	I_{EBO}	$V_{EB} = 5V, I_C = 0$	–	–	2.5	mA
DC Current Gain	h_{FE}	$V_{CE} = 3V, I_C = 0.5A$	1000	–	–	
		$V_{CE} = 3V, I_C = 1A$	2000	–	30000	
Collector–Emitter Saturation Voltage	$V_{CE(sat)}$	$I_C = 1A, I_B = 2mA$	–	–	1.5	V
Base–Emitter Saturation Voltage	$V_{BE(sat)}$	$I_C = 1A, I_B = 2mA$	–	–	2.0	V
Collector–Base Breakdown Voltage	$V_{(BR)CBO}$	$I_C = 100\mu\text{A}, I_E = 0$	120	–	–	V
Collector–Emitter Breakdown Voltage	$V_{(BR)CEO}$	$I_C = 10mA, R_{BE} = \infty$	120	–	–	V

Schematic Diagram



X-ON Electronics

Largest Supplier of Electrical and Electronic Components

Click to view similar products for [Darlington Transistors](#) category:

Click to view products by [NTE manufacturer](#):

Other Similar products are found below :

[281287X](#) [SMMBT6427LT1G](#) [2N7371](#) [BDV64B](#) [JANTXV2N6287](#) [028710A](#) [SMMBTA64LT1G](#) [2N6350](#) [2SB1214-TL-E](#)
[SMMBTA14LT1G](#) [SBSP52T1G](#) [NJVMJD117T4G](#) [Jantx2N6058](#) [2N6353](#) [LB1205-L-E](#) [500-00005](#) [2N6053](#) [NJVMJD112G](#) [Jan2N6350](#)
[Jantx2N6352](#) [Jantx2N6350](#) [BULN2803LVS](#) [ULN2001N](#) [2SB1383](#) [2SB1560](#) [2SB852KT146B](#) [TIP112TU](#) [TIP122TU](#) [BCV27](#) [MMBTA13-](#)
[TP](#) [MMBTA14-TP](#) [MMSTA28T146](#) [BSP50H6327XTSA1](#) [KSH122TF](#) [NTE2557](#) [NJVNJD35N04T4G](#) [TIP115](#) [MPSA29-D26Z](#) [MJD127T4](#)
[FJB102TM](#) [BCV26E6327HTSA1](#) [BCV46E6327HTSA1](#) [BCV47E6327HTSA1](#) [BSP61H6327XTSA1](#) [BU941ZPFI](#) [2SB1316TL](#) [2SD1980TL](#)
[NTE2350](#) [NTE245](#) [NTE246](#)