



ELECTRONICS, INC.
 44 FARRAND STREET
 BLOOMFIELD, NJ 07003
 (973) 748-5089
<http://www.nteinc.com>

NTE923 & NTE923D Integrated Circuit Precision Voltage Regulator

Description:

The NTE923 and NTE923D are voltage regulators designed primarily for series regulator applications. By themselves, these devices will supply output currents up to 150mA; but, external transistors can be added to provide any desired load current. The circuits feature extremely low standby current drain, and provision is made for either linear or foldback current limiting.

These devices are also useful in a wide range of other applications such as shunt regulators, current regulators, and temperature controllers.

Features:

- 150mA Output Current without External Pass Transistor
- Output Currents in Excess of 10A Possible by Adding External Transistors
- Input Voltage: 40V Max
- Output Voltage Adjustable from 2V to 37V
- Can be Used as Either a Linear or a Switching Regulator

Absolute Maximum Ratings:

Pulse Voltage from V ₊ to V ₋ (50ms)	50V
Continuous Voltage from V ₊ to V ₋	40V
Input-Output Voltage Differential	40V
Maximum Amplifier Input Voltage	
Either Input	8.5V
Differential	5.0V
Current from V _Z	25mA
Current from V _{REF}	15mA
Internal Power Dissipation	
NTE923	800mW
NTE923D	660mW
Operating Temperature Range	0° to +70°C
Storage Temperature Range	
NTE923	-65° to +150°C
NTE923D	-55° to +150°C
Lead Temperature (During Soldering, 4sec max)	
NTE923	+300°C
NTE923D	+260°C

Electrical Characteristics: (Note 1)

Parameter	Test Conditions	Min	Typ	Max	Unit	
Line Regulation	$V_{IN} = 12V$ to $15V$	–	0.01	0.1	% V_{OUT}	
		$0^{\circ} \leq T_A \leq +70^{\circ}C$	–	–	0.3	% V_{OUT}
	$V_{IN} = 12V$ to $40V$	–	0.1	0.5	% V_{OUT}	
Load Regulation	$I_L = 1mA$ to $50mA$	–	0.03	0.2	% V_{OUT}	
		$0^{\circ} \leq T_A \leq +70^{\circ}C$	–	–	0.6	% V_{OUT}
Ripple Rejection	$f = 50Hz$ to $10kHz$	$C_{REF} = 0$	–	74	–	dB
		$C_{REF} = 5\mu F$	–	86	–	dB
Average Temperature Coefficient of Output Voltage	$0^{\circ} \leq T_A \leq +70^{\circ}C$, Note 2	–	0.003	0.015	%/ $^{\circ}C$	
Short Circuit Current Limit	$R_{SC} = 10\Omega$, $V_{OUT} = 0$	–	65	–	mA	
Reference Voltage		6.80	7.15	7.50	V	
Output Noise Voltage	$BW = 100Hz$ to $10kHz$	$C_{REF} = 0$	–	86	–	μV_{rms}
		$C_{REF} = 5\mu F$	–	2.5	–	μV_{rms}
Long Term Stability		–	0.05	–	%/1000Hrs	
Standby Current Drain	$I_L = 0$, $V_{IN} = 30V$	–	1.7	4.0	mA	
Input Voltage Range		9.5	–	40	V	
Output Voltage Range		2.0	–	37	V	
Input–Output Voltage Differential		3.0	–	38	V	
Thermal Resistance, Junction to Ambient		–	105	–	$^{\circ}C/W$	
NTE923	Board mount in still air	–	225	–	$^{\circ}C/W$	
	Board mount in 400LF/Min Air flow	–	90	–	$^{\circ}C/W$	
Thermal Resistance, Junction to Case		–	25	–	$^{\circ}C/W$	

Note 1. Unless otherwise otherwise specified, $T_A = +25^{\circ}C$, $V_{IN} = V_+ = V_C = 12V$, $V_- = 0$, $V_{OUT} = 5V$, $I_L = 1mA$, $R_{SC} = 0$, $C_I = 100pF$, $C_{REF} = 0$ and divider impedance as seen by error amplifier $\leq 10k\Omega$. Line and load regulation specifications are given for the condition of constant chip temperature. Temperature drifts must be taken into account separately for high dissipation conditions.

Note 2. Guaranteed by correlation to other tests.

Note 3. For metal can applications where V_Z is required, an external 6.2V zener diode should be connected in series with V_{OUT} .

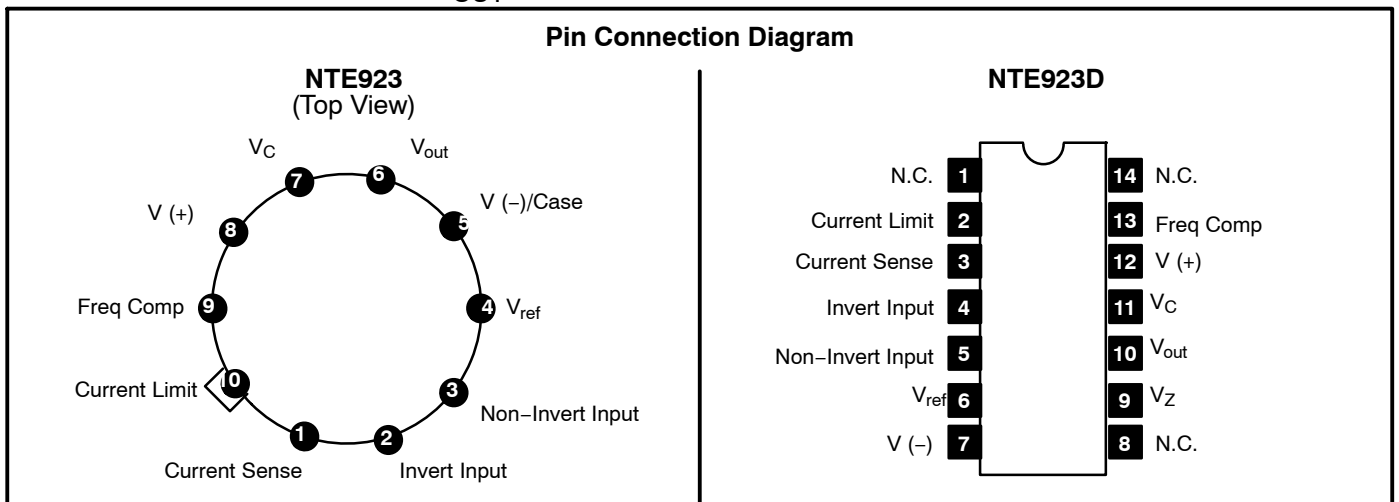


TABLE 1. Resistor Values (kΩ) for Standard Output Voltage:

Output Voltage	Applicable Figures	Fixed Output ±5%		Output Adjustable ±10% (Note 5)			Output Voltage	Applicable Figures	Fixed Output ±5%		Output Adjustable ±10% (Note 5)		
	(Note 4)	R1	R2	R1	P1	R2		(Note 4)	R1	R2	R1	P1	R2
+3.0	1, 5, 6, 9, 12 (4)	4.12	3.01	1.8	0.5	1.2	+100	7	3.57	102	2.2	10	91
+3.6	1, 5, 6, 9, 12 (4)	3.57	3.65	1.5	0.5	1.5	+250	7	3.57	255	2.2	10	240
+5.0	1, 5, 6, 9, 12 (4)	2.15	4.99	0.75	0.5	2.2	-6 (Note 6)	3, (10)	3.57	2.43	1.2	0.5	0.75
+6.0	1, 5, 6, 9, 12 (4)	1.15	6.04	0.5	0.5	2.7	-9	3, 10	3.48	5.36	1.2	0.5	2.0
+9.0	2, 4, (5, 6, 9, 12)	1.87	7.15	0.75	1.0	2.7	-12	3, 10	3.57	8.45	1.2	0.5	3.3
+12	2, 4, (5, 6, 9, 12)	4.87	7.15	2.0	1.0	3.0	-15	3, 10	3.65	11.5	1.2	0.5	4.3
+15	2, 4, (5, 6, 9, 12)	7.87	7.15	3.3	1.0	3.0	-28	3, 10	3.57	24.3	1.2	0.5	10
+28	2, 4, (5, 6, 9, 12)	21.0	7.15	5.6	1.0	2.0	-45	8	3.57	41.2	2.2	10	33
+45	7	3.57	48.7	2.2	10	39	-100	8	3.57	97.6	2.2	10	91
+75	7	3.57	78.7	2.2	10	68	-250	8	3.57	249	2.2	10	240

Note 4. Figures in parentheses may be used if R1/R2 divider is placed on opposite input of error amp.

Note 5. Replace R1/R2 in figures with divider shown in Figure .

Note 6. V+ and V_{CC} must be connected to a +3V or greater supply.

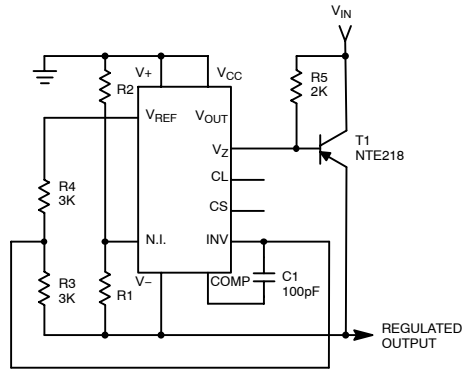
TABLE 2. Formulae for Intermediate Output Voltages:

Outputs from +2 to +7 Volts (Figures 1, 4, 5, 6, 9, 12) $V_{OUT} = \left(V_{REF} \times \frac{R2}{R1 + R2} \right)$	Outputs from +4 to +250 Volts (Figure 7) $V_{OUT} = \left(\frac{V_{REF}}{2} \times \frac{R2 - R1}{R1} \right); R3 = R4$	Current Limiting $I_{LIMIT} = \frac{V_{SENSE}}{R_{SC}}$
Outputs from +7 to +37 Volts (Figures 2, 4, 5, 6, 9, 12) $V_{OUT} = \left(V_{REF} \times \frac{R1 + R2}{R2} \right)$	Outputs from -6 to -250 Volts (Figures 3, 8, 10) $V_{OUT} = \left(\frac{V_{REF}}{2} \times \frac{R1 + R2}{R1} \right); R3 = R4$	Foldback Current Limiting $I_{KNEE} = \left(\frac{V_{OUT} R3}{R_{SC} R4} + \frac{V_{SENSE} (R3 + R4)}{R_{SC} R4} \right)$ $I_{SHORT\ CKT} = \left(\frac{V_{SENSE}}{R_{SC}} \times \frac{R3 + R4}{R4} \right)$

Typical Applications: (Pin numbers relative to the plastic package)

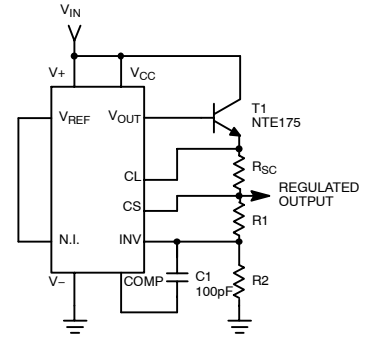
<p>Figure 1. Basic Low Voltage Regulator (V_{OUT} = 2 to 7 Volts)</p> <p>Note: $R3 = \frac{R1 \times R2}{R1 + R2}$ for minimum temperature drift.</p> <p>Typical Performance Regulated Output Voltage: 5V Line Regulation (ΔV_{IN} = 3V): 0.5mV Load Regulation (ΔI_L = 50mA): 1.5mV</p>	<p>Figure 2. Basic High Voltage Regulator (V_{OUT} = 27to 37 Volts)</p> <p>Note: $R3 = \frac{R1 \times R2}{R1 + R2}$ for minimum temperature drift. R3 may be eliminated for minimum component count.</p> <p>Typical Performance Regulated Output Voltage: 15V Line Regulation (ΔV_{IN} = 3V): 1.5mV Load Regulation (ΔI_L = 50mA): 4.5mV</p>
--	---

Figure 3. Negative Voltage Regulator



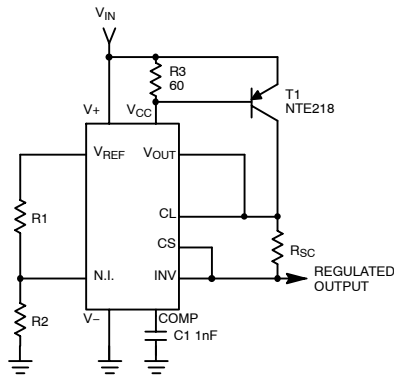
Typical Performance
 Regulated Output Voltage -15V
 Line Regulation ($\Delta V_{IN} = 3V$) 1mV
 Load Regulation ($\Delta I_L = 100mA$) 2mV

Figure 4. Positive Voltage Regulator (External NPN Pass Transistor)



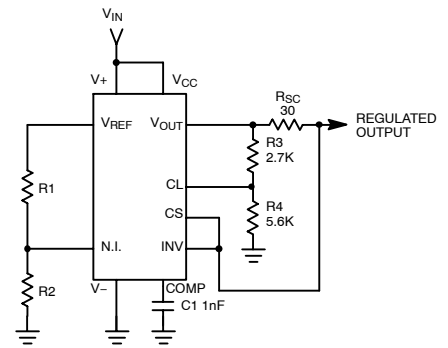
Typical Performance
 Regulated Output Voltage +15V
 Line Regulation ($\Delta V_{IN} = 3V$) 1.5mV
 Load Regulation ($\Delta I_L = 1A$) 15mV

Figure 5. Positive Voltage Regulator (External PNP Pass Transistor)



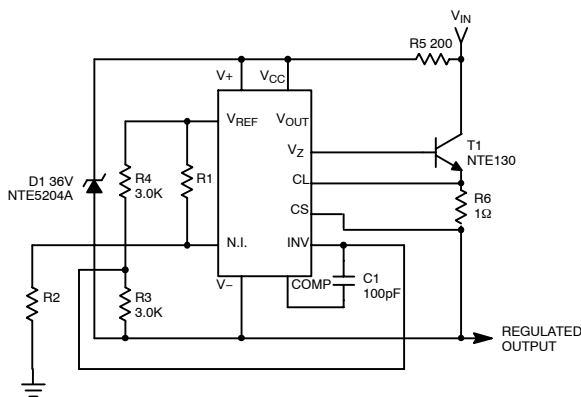
Typical Performance
 Regulated Output Voltage +5V
 Line Regulation ($\Delta V_{IN} = 3V$) 0.5mV
 Load Regulation ($\Delta I_L = 1A$) 5mV

Figure 6. Foldback Current Limiting



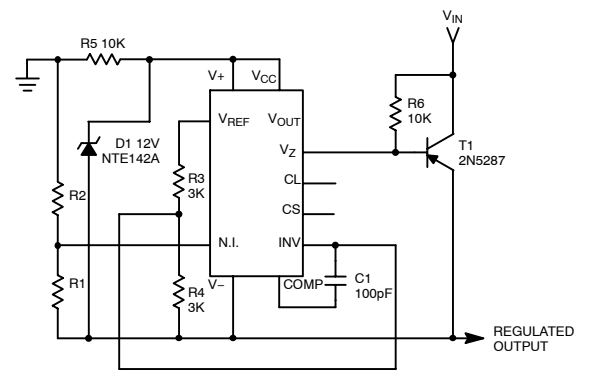
Typical Performance
 Regulated Output Voltage +5V
 Line Regulation ($\Delta V_{IN} = 3V$) 0.5mV
 Load Regulation ($\Delta I_L = 10mA$) 1mV
 Short Circuit Current 20mA

Figure 7. Positive Floating Regulator



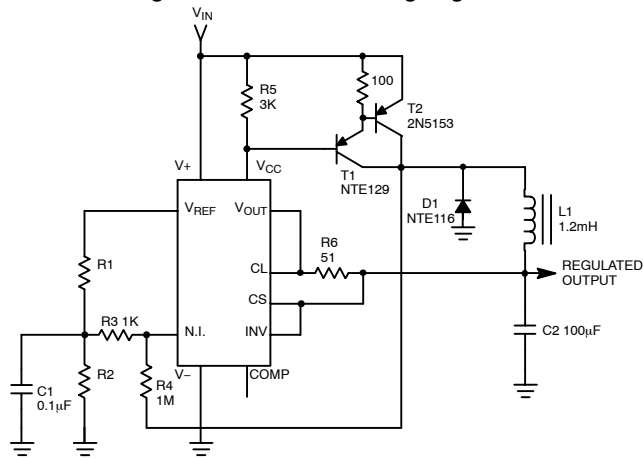
Typical Performance
 Regulated Output Voltage +50V
 Line Regulation ($\Delta V_{IN} = 20V$) 30mV
 Load Regulation ($\Delta I_L = 100mA$) 20mV

Figure 8. Negative Floating Regulator



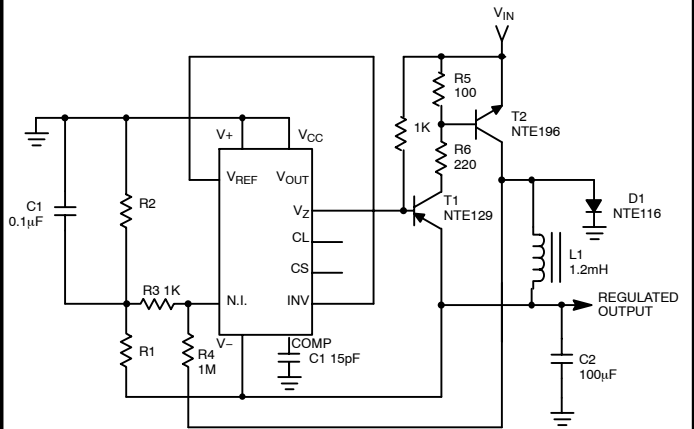
Typical Performance
 Regulated Output Voltage -100V
 Line Regulation ($\Delta V_{IN} = 20V$) 30mV
 Load Regulation ($\Delta I_L = 100mA$) 20mV

Figure 9. Positive Switching Regulator



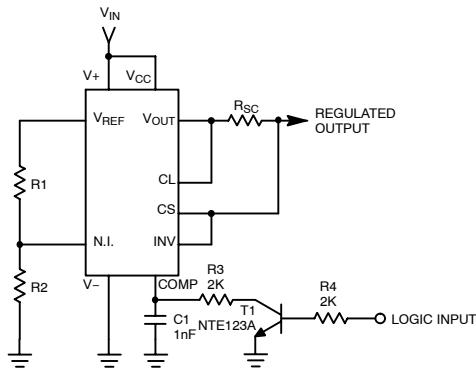
Typical Performance
 Regulated Output Voltage +5V
 Line Regulation ($\Delta V_{IN} = 30V$) 10mV
 Load Regulation ($\Delta I_L = 2A$) 80mV

Figure 10. Negative Switching Regulator



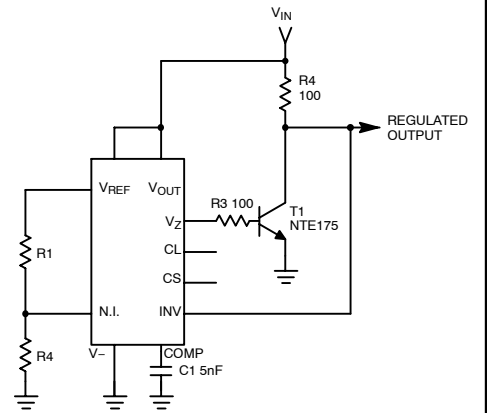
Typical Performance
 Regulated Output Voltage -15V
 Line Regulation ($\Delta V_{IN} = 20V$) 8mV
 Load Regulation ($\Delta I_L = 2A$) 6mV

Figure 11. Remote Shutdown Regulator with Current Limiting



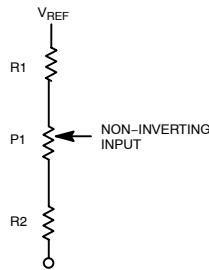
Typical Performance
 Regulated Output Voltage +5V
 Line Regulation ($\Delta V_{IN} = 3V$) 0.5mV
 Load Regulation ($\Delta I_L = 50mA$) 1.5mV

Figure 12. Shunt Regulator

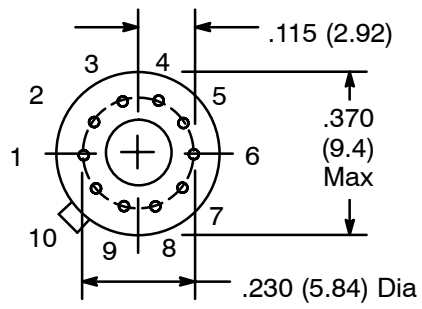
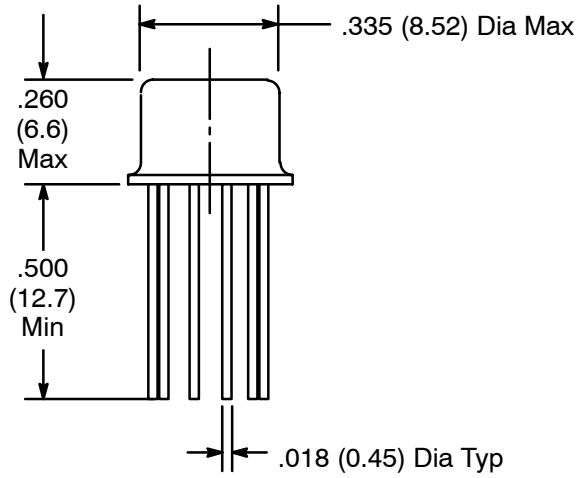


Typical Performance
 Regulated Output Voltage +5V
 Line Regulation ($\Delta V_{IN} = 10V$) 0.5mV
 Load Regulation ($\Delta I_L = 100mA$) 1.5mV

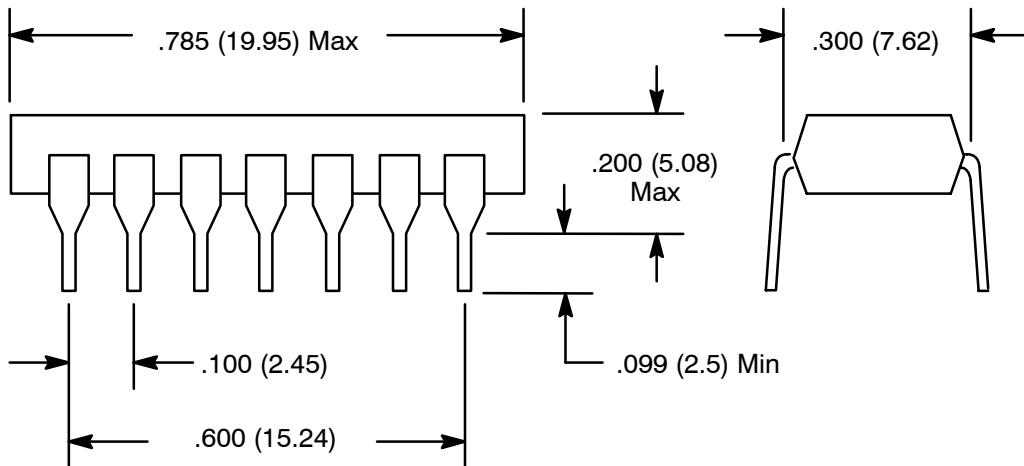
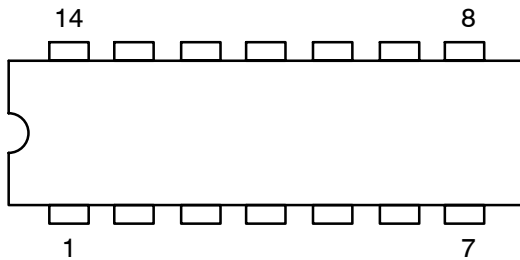
Figure 13. Output Voltage Adjust (Note 6)



NTE923



NTE923D



X-ON Electronics

Largest Supplier of Electrical and Electronic Components

Click to view similar products for [Linear Voltage Regulators](#) category:

Click to view products by [NTE manufacturer](#):

Other Similar products are found below :

[LV56831P-E](#) [LV5684PVD-XH](#) [MAX202ECWE-LF](#) [MCDTSA6-2R](#) [L4953G](#) [L7815ACV-DG](#) [PQ3DZ53U](#) [LV56801P-E](#)
[TCR3DF13,LM\(CT](#) [TCR3DF39,LM\(CT](#) [TLE42794G](#) [L78L05CZ/1SX](#) [L78LR05DL-MA-E](#) [L78MR05-E](#) [033150D](#) [033151B](#) [090756R](#)
[636416C](#) [NCV78M15BDTG](#) [702482B](#) [714954EB](#) [TLE42794GM](#) [TLE42994GM](#) [ZMR500QFTA](#) [BA033LBSG2-TR](#)
[NCV78M05ABDTRKG](#) [NCV78M08BDTRKG](#) [NCP7808TG](#) [NCV571SN12T1G](#) [LV5680P-E](#) [CAJ24C256YI-GT3](#) [L78M15CV-DG](#) [L9474N](#)
[TLS202B1MBV33HTSA1](#) [L79M05T-E](#) [NCP571SN09T1G](#) [MAX15006AASA/V+](#) [MIC5283-5.0YML-T5](#) [L4969URTR-E](#) [L78LR05D-MA-E](#)
[NCV7808BDTRKG](#) [L9466N](#) [NCP7805ETG](#) [SC7812CTG](#) [NCV7809BTG](#) [NCV571SN09T1G](#) [NCV317MBTG](#) [MC78M15CDTT5G](#)
[MC78M12CDTT5G](#) [L9468N](#)