

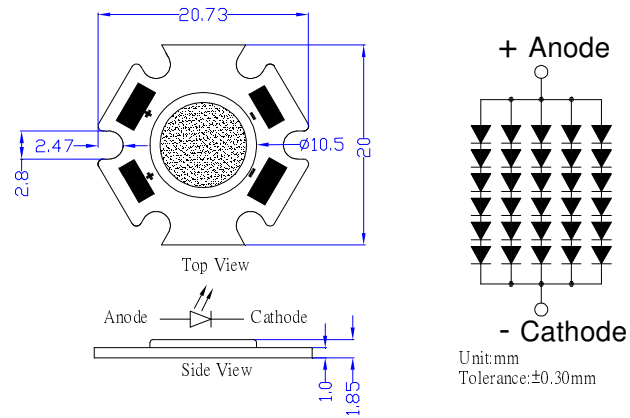
■Features

- Highest Luminous Flux
- Super Energy Efficiency
- Long Lifetime Operation
- Superior UV Resistance
- **Efficacy: 120lm/W @300mA (5.76W)**

■Applications

- Electronic Signs And Signals
- Small Area Illuminations
- Back Lighting
- Other Lighting
- Bollards / Security / Garden
- Traffic signaling / Beacons

■Outline Dimension

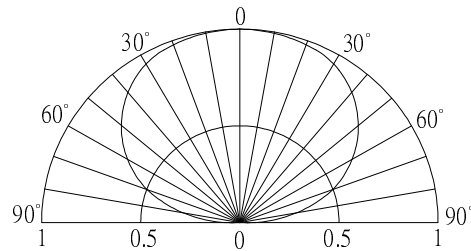


■Absolute Maximum Rating

(Ta=25°C)

Item	Symbo l	Value	Unit
		W/M	
DC Forward Current	I _F	420	mA
Pulse Forward Current*	I _{FP}	600	mA
Reverse Voltage	V _R	25	V
Power Dissipation	P _D	8,820	mW
Operating Temperature	Topr	-40 ~ +85	°C
Storage Temperature	Tstg	-40~ +85	°C
Lead Soldering Temperature	Tsol	260°C/5sec	-

■Directivity



*Pulse width Max 0.1ms, Duty ratio max 1/10

■Electrical -Optical Characteristics

(Ta=25°C)

Part Number	Color		V _F (V)			I _R (μA)	Φ _v (lm)*			λD(nm)*			2θ1/2(deg)
			Min.	Typ.	Max.	Max.	Min.	Typ.	Max.	Min.	Typ.	Max.	Typ.
			I _F =300mA			V _R =5V	I _F =300mA						
OS4WF6CAE1E	White	W	17.4	19.2	21	50	650	700	-	X=0.31, Y=0.33	CCT:6500K	140	
OS7MF6CAE1E	Warm White	M	17.4	19.2	21	50	650	700	-	X=0.38, Y=0.39	CCT:4000K	140	
OS5MF6CAE1E	Warm White	M	17.4	19.2	21	50	650	700	-	X=0.44, Y=0.41	CCT:3000K	140	

*Thermal Resistance Junction to MCPCB: 6degC/W

Note: *1 Luminous Flux Measurement allowance is ±15%

*2 Chromaticity Coordinates Measurement allowance is ±10%