

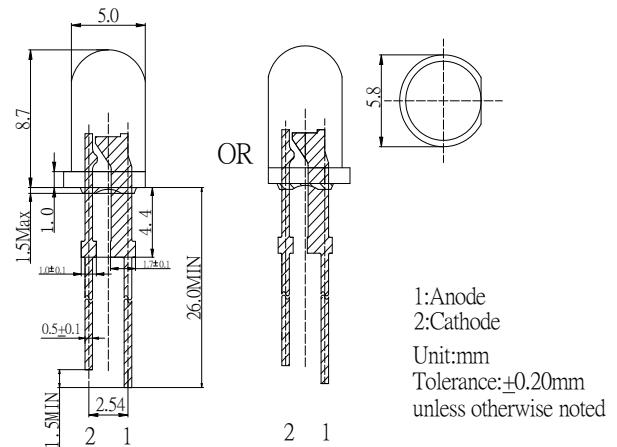
**■ Features**

- High Radiant Power LEDs
- 5mm Round Standard Directivity
- Superior Weather-resistance
- UV Resistant Epoxy
- Water Clear Type

**■ Applications**

- IrDA
- Encoder
- Data Communication
- Other Lighting

**■ Outline Dimension**



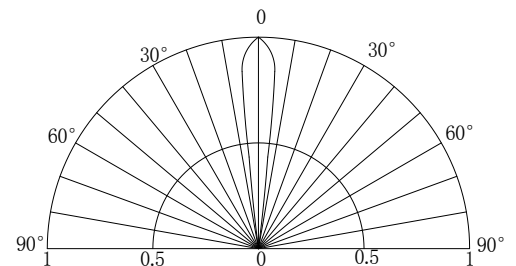
**■ Absolute Maximum Rating**

(Ta=25°C)

Item	Symbol	Value	Unit
DC Forward Current	I <sub>F</sub>	105	mA
Pulse Forward Current*	I <sub>FP</sub>	1000	mA
Reverse Voltage	V <sub>R</sub>	5	V
Power Dissipation	P <sub>D</sub>	189	mW
Operating Temperature	T <sub>opr</sub>	-30 ~ +85	°C
Storage Temperature	T <sub>stg</sub>	-40 ~ +100	°C
Lead Soldering Temperature	T <sub>sol</sub>	260°C/5sec	-

\*Pulse width Max.10ms Duty ratio max 1/10

**■ Directivity**



**■ Electrical -Optical Characteristics**

(Ta=25°C)

Part Number	Color		V <sub>F</sub> (V)			I <sub>R</sub> (μA)	Radiant Power (mW)			WP(nm)*			2θ1/2(deg)
			Min.	Typ.	Max.	Max.	Min.	Typ.	Max.	Min.	Typ.	Max.	Typ.
			I <sub>F</sub> =100mA			V <sub>R</sub> =5V	I <sub>F</sub> =100mA						
OSI3NA5111Y	Infrared	I3	-	1.6	1.8	10	-	60	-	-	850	-	15
OSI5CA5111Y	Infrared	I5	-	1.6	1.8	10	-	60	-	-	940	-	15

\*1 Tolerance of measurements of Peak wavelength is ±1nm

\*2 Tolerance of measurements of radiant Power is ±15%

\*3 Tolerance of measurements of forward voltage is ±0.1V