

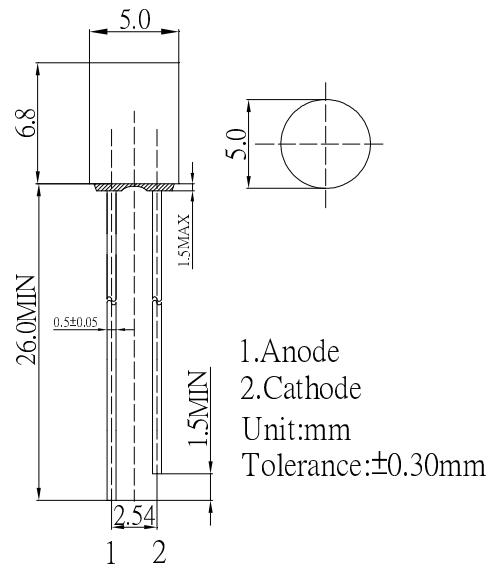
■ Features

- High Luminous LEDs
- 5mm Flat Standard Directivity
- Superior Weather-resistance
- UV Resistant Epoxy
- Water Clear Type

■ Applications

- Electronic Signs And Signals
- Small Area Illuminations
- Back Lighting
- Other Lighting

■ Outline Dimension

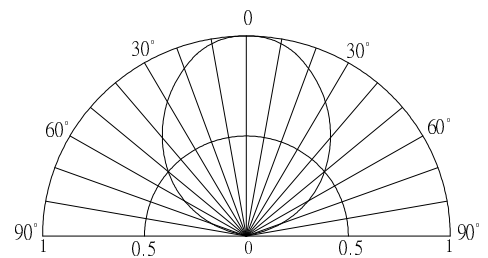


■ Absolute Maximum Rating

(Ta=25°C)

Item	Symbol	Value		Unit
		W/M/B/TG	YG/Y/O/R	
DC Forward Current	I _F	30	30	mA
Pulse Forward Current*	I _{FP}	100	100	mA
Reverse Voltage	V _R	5	5	V
Power Dissipation	P _D	108	78	mW
Operating Temperature	Topr	-30 ~ +85		°C
Storage Temperature	Tstg	-40~ +100		°C
Lead Soldering Temperature	Tsol	260°C/5sec		-

■ Directivity



*Pulse width Max.10ms Duty ratio max 1/10

■ Electrical -Optical Characteristics

(Ta=25°C)

Part Number	Color		V _F (V)			I _R (μA)	I _v (mcd)			λD(nm)			θ1/2(deg)
			Min.	Typ.	Max.	Max.	Min.	Typ.	Max.	Min.	Typ.	Max.	Typ.
			I _F =20mA			V _R =5V		I _F =20mA					
OSW5DK5GA1B	White	W	2.8	3.1	3.6	10	1560	2180	-	-	X=0.27, Y=0.28	-	100
OSM5DK5GA1B	Warm White	M	2.8	3.1	3.6	10	1120	1560	-	-	X=0.45, Y=0.41	-	100
OSB5SA5GA1B	Blue	B	2.8	3.1	3.6	10	500	750	-	465	465	475	100
OSG5DA5GA1B	True Green	G	2.8	3.1	3.6	10	1120	1560	-	520	525	530	100
OSY5PA5GA1B	Yellow	Y	1.8	2.1	2.6	10	750	1120	-	585	590	595	100
OSO5PA5GA1B	Orange	O	1.8	2.1	2.6	10	1120	1560	-	600	605	610	100
OSR5PA5GA1B	Red	R	1.8	2.1	2.6	10	750	1120	-	620	625	630	100

*1 Tolerance of dominant wavelength is ±1nm

*2 Tolerance of luminous intensity is ±15%