

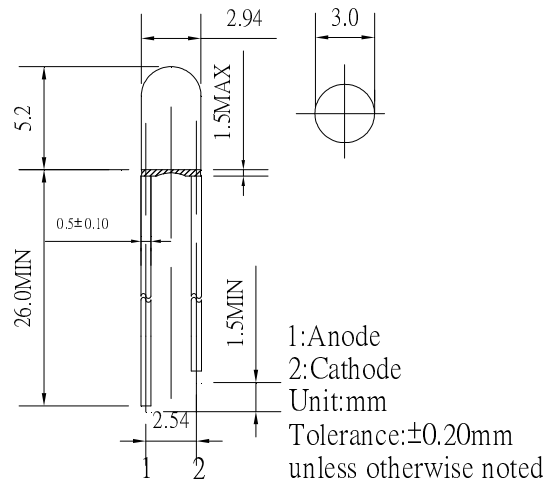
■Features

- High Luminous LED
- 3mm Round Standard Directivity
- Long Lifetime Operation
- Superior UV Resistance
- Water Clear Type

■Applications

- Electronic Signs And Signals
- Small Area Illuminations
- Back Lighting
- Other Lighting

■Outline Dimension

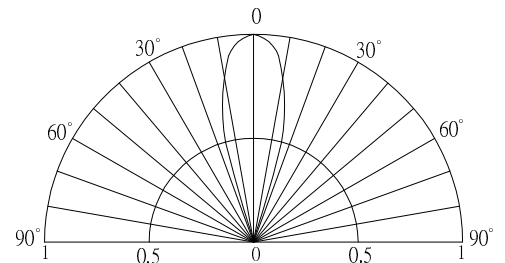


■Absolute Maximum Rating

(Ta=25°C)

Item	Symbo l	Value		Unit
		W/M/B/PG	R/Y	
DC Forward Current	I _F	30	30	mA
Pulse Forward Current*	I _{FP}	100	100	mA
Reverse Voltage	V _R	5	5	V
Power Dissipation	P _D	102	78	mW
Operating Temperature	Topr	-30 ~ +85		°C
Storage Temperature	Tstg	-40~ +100		°C
Lead Soldering Temperature	Tsol	260°C/5sec		-

■Directivity



*Pulse width Max 0.1ms, Duty ratio max 1/10

■Electrical -Optical Characteristics

(Ta=25°C)

Part Number	Color		V _F (V)			I _R (μA) Max.	I _v (mcd)*			λD(nm)*			2θ1/2(deg) Typ.
			Min.	Typ.	Max.		Min.	Typ.	Max.	Min.	Typ.	Max.	
			I _F =20mA			V _R =5V			I _F =20mA				
OSW5DK3E31B	White	W	2.7	2.9	3.4	10	7000	8400	-	Typ.X:0.27, Y:0.28			30
OSM5DK3E31B	Warm White	M	2.7	2.9	3.4	10	5800	7000	-	Typ.X:0.45, Y:0.41			30
OSB5SA3E31B	Blue	B	2.7	3.0	3.4	10	2180	3000	-	465	470	475	30
OSG5DA3E31B	Pure Green	PG	2.7	3.0	3.4	10	8400	10000	-	520	525	530	30
OSY5RU3E31B	Yellow	Y	1.8	2.1	2.6	10	1120	1560	-	585	590	595	30
OSY5PA3E31B	Yellow	Y	1.8	2.1	2.6	10	5800	7000	-	585	590	595	30
OSR5RU3E31B	Red	R	1.8	2.1	2.6	10	1120	1560	-	620	625	630	30
OSR5PA3E31B	Red	R	1.8	2.1	2.6	10	5800	7000	-	620	625	630	30

*1 Tolerance of measurements of domi. wavelength is ±1nm

*2 Tolerance of measurements of chromaticity coordinates is ±10%

*3 Tolerance of measurements of luminous intensity is ±15%

*4 Tolerance of measurements of forward voltage is ±0.1V