

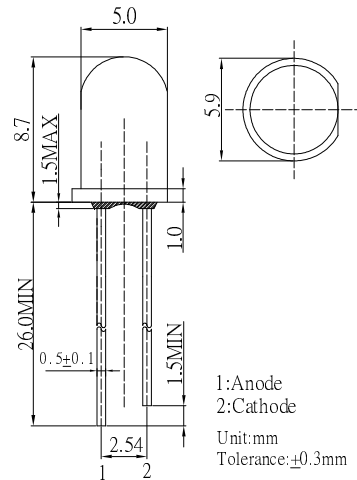
■ **Features**

- High Luminous LEDs
- 5mm Round Standard Directivity
- Superior Weather-resistance
- UV Resistant Epoxy
- Integral Current Limiting Resistor
- TTL Compatible (Requires No External Current Limiter With 12 Volt Supply)
- Cost Effective (Saves Space and Resistor Cost)
- Color Diffused Type

■ **Applications**

- Status Indicators
- Other Lighting

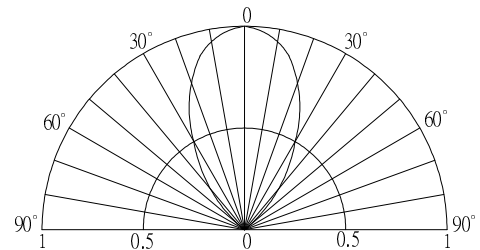
■ **Outline Dimension**



■ **Absolute Maximum Rating (Ta=25°C)**

| Item | Symbol | Value | Unit |
|----------------------------|-----------|------------|------|
| DC Forward Voltage | V_F | 15 | V |
| Reverse Voltage | V_R | 5 | V |
| Power Dissipation | P_D | 225 | mW |
| Operating Temperature | T_{opr} | -30 ~ +85 | °C |
| Storage Temperature | T_{stg} | -40 ~ +100 | °C |
| Lead Soldering Temperature | T_{sol} | 260°C/5sec | - |

■ **Directivity**



■ **Electrical -Optical Characteristics (Ta=25°C)**

| Item | Symbol | Condition | Min. | Typ. | Max. | Unit |
|---------------------|-----------------|-------------|------|------|------|---------|
| DC Forward Current | I_F | $V_F = 12V$ | - | 10 | 15 | mA |
| DC Reverse Current | I_R | $V_R = 12V$ | - | - | 10 | μA |
| Domi. Wavelength* | λ_D | $V_F = 12V$ | 630 | 640 | 650 | nm |
| Luminous Intensity* | I_v | $V_F = 12V$ | 100 | 130 | - | mcd |
| 50% Power Angle | $2\theta_{1/2}$ | $V_F = 12V$ | - | 60 | - | deg |

*1 Tolerance of dominant wavelength is $\pm 1nm$

*2 Tolerance of luminous intensity is $\pm 15\%$

AlGaInP and Si Resistor LED

TYPICAL ELECTRICAL/OPTICAL CHARACTERISTIC CURVES

