

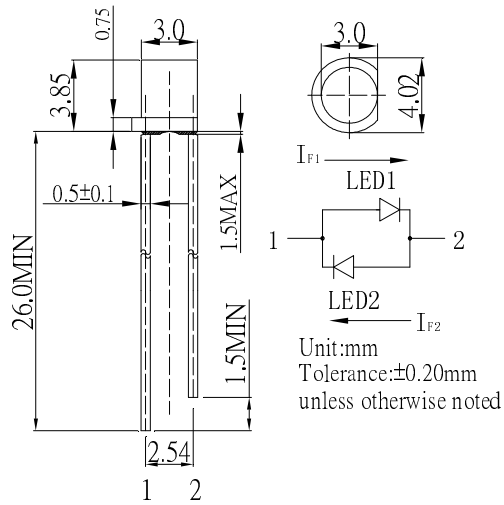
■ Features

- High Luminous LEDs
- 3mm Flat Standard Directivity
- Superior Weather-resistance
- UV Resistant Epoxy
- Water Clear Type
- AC LED

■ Applications

- Electronic Signs And Signals
- Small Area Illuminations
- Back Lighting
- Other Lighting

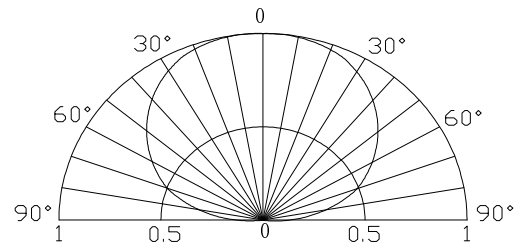
■ Outline Dimension



■ Absolute Maximum Rating (Ta=25°C)

| Item | Symbol | Value | | Unit |
|----------------------------|------------------|------------|----------|------|
| | | W/M/B/PG | YG/Y/O/R | |
| DC Forward Current | I _F | 30 | 30 | mA |
| Pulse Forward Current* | I _{FP} | 100 | 100 | mA |
| Reverse Voltage | V _R | 5 | 5 | V |
| Power Dissipation | P _D | 102 | 78 | mW |
| Operating Temperature | T _{opr} | -30 ~ +85 | | °C |
| Storage Temperature | T _{stg} | -40~ +100 | | °C |
| Lead Soldering Temperature | T _{sol} | 260°C/5sec | | - |

■ Directivity



*Pulse width Max.10ms Duty ratio max 1/10

| Part Number | Color | | | V _F (V) | | | I _v (mcd) | | | λD(nm)/CCT(K) | | | θ1/2(deg) |
|-------------|--------------|----|---|----------------------|------|------|----------------------|------|------|------------------|------|------|-----------|
| | | | | Min. | Typ. | Max. | Min. | Typ. | Max. | Min. | Typ. | Max. | Typ. |
| | | | | I _F =20mA | | | I _F =20mA | | | | | | |
| OSWWD234E1A | White | W | | 2.7 | 2.9 | 3.4 | 1120 | 1560 | - | CCT: 8500-18000K | | | 140 |
| OSMMD234E1A | Warm White | M | ■ | 2.7 | 2.9 | 3.4 | 1120 | 1560 | - | CCT:2700-3300K | | | 140 |
| OSBBS234E1A | Blue | B | ■ | 2.7 | 2.9 | 3.4 | 330 | 500 | - | 465 | 465 | 475 | 140 |
| OSPPD234E1A | Pure Green | PG | ■ | 2.7 | 2.9 | 3.4 | 1560 | 2180 | - | 520 | 525 | 530 | 140 |
| OSGGH234E1A | Yellow Green | YG | ■ | 1.8 | 2.1 | 2.6 | 45 | 68 | - | 565 | 570 | 575 | 140 |
| OSYYR234E1A | Yellow | Y | ■ | 1.8 | 2.1 | 2.6 | 220 | 330 | - | 585 | 590 | 595 | 140 |
| OSOOJ234E1A | Orange | O | ■ | 1.8 | 2.1 | 2.6 | 220 | 330 | - | 600 | 605 | 610 | 140 |
| OSRRR234E1A | Red | R | ■ | 1.8 | 2.1 | 2.6 | 220 | 330 | - | 620 | 625 | 630 | 140 |

*1 Tolerance of measurements of Domi. wavelength is ±1nm
 *2 Tolerance of measurements of chromaticity coordinates is ±10%
 *3 Tolerance of measurements of luminous intensity is ±15%
 *4 Tolerance of measurements of forward voltage is ±0.1V