

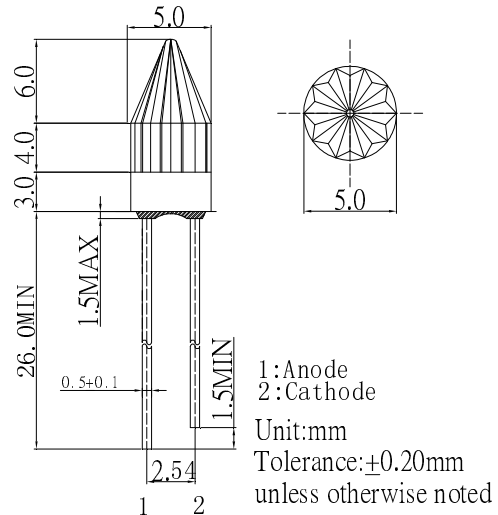
■ Features

- High Luminous LEDs
- 5mm Rocket Standard Directivity
- Superior Weather-resistance
- Candle Lighting Flashing Type

■ Applications

- Toys
- Games
- Audio
- Other Lighting

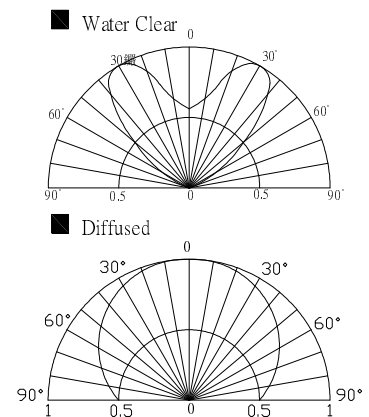
■ Outline Dimension



■ Absolute Maximum Rating (Ta=25°C)





Item	Symbol	Value	Unit
Power Supply	Voltage	5.0	V
Operating Temperature	Topr	-30 ~ +85	°C
Storage Temperature	Tstg	-40 ~ +100	°C
Lead Soldering Temperature	Tsol	260°C/5sec	-

■ Directivity



*Pulse width Max.10ms Duty ratio max 1/10

■ Electrical -Optical Characteristics (Ta=25°C)

Part Number	Color			V _F (V)			I _v (mcd)*			CCT(K)/λD(nm)*			2θ _{1/2} (deg)
				Min.	Typ.	Max.	Typ.	Typ.	Max.	Min.	Typ.	Max.	Typ.
				I _F =20mA						I _F =20mA			
OS2MDK58A1B	Warm White	M		2.5	3.3	5.0	500	750	-	2000-2400K(X:0.51, Y:0.41)			100
OS2MDK58K2B	Warm White	M		2.5	3.3	5.0	220	330	-	2000-2400K(X:0.51, Y:0.41)			180
OSY5MK58A1B	Yellow	Y		2.5	3.3	5.0	750	1120	-	585	590	595	100
OSY5MK58K2B	Yellow	Y		2.5	3.3	5.0	220	330	-	585	590	595	180

*1 Tolerance of measurements of Chromaticity coordinates is ±10%

*2 Tolerance of measurements of Dominant wavelength is ±1nm

*3 Tolerance of measurements of luminous intensity is ±15%

*4 Tolerance of measurements of forward voltage is ±0.1V

*5 Tolerance of measurements of Frequency is ±20%