

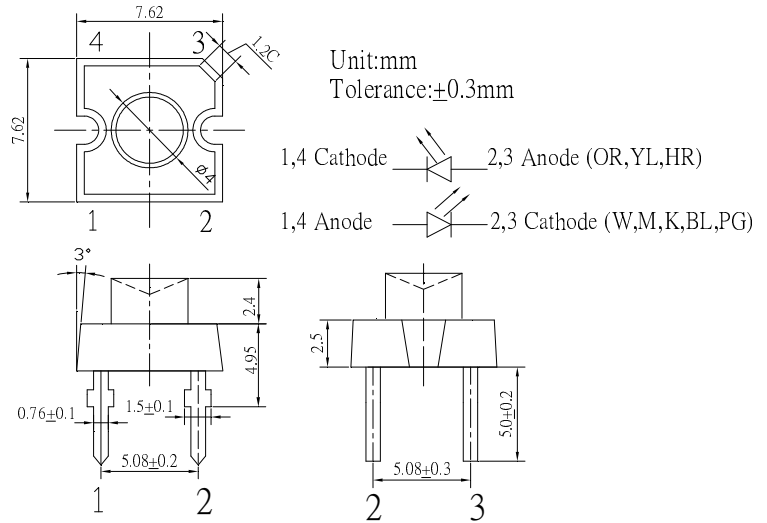
■ Features

- High Luminous Super Flux Output
- 4 ∅ Concave Oval Standard Directivity
- Long Lifetime Operation
- Low Thermal Resistance
- Superior Weather-Resistance
- UV Resistant Epoxy
- Water Clear Type

■ Applications

- Traffic signal, portable light source
- Automotive lighting
- Decoration and entertainment lighting
- Architectural lighting
- Other Lighting

■ Outline Dimension



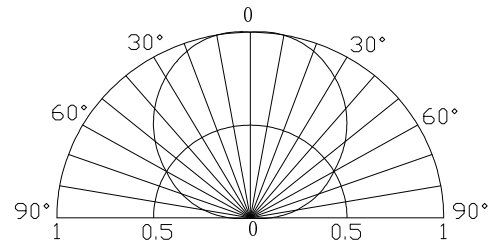
■ Absolute Maximum Rating

(Ta=25°C)

Item	Symbol	Value		Unit
		W/M/K/B/G	Y/O/R	
DC Forward Current	I _F	50	50	mA
Pulse Forward Current*	I _{FP}	100	100	mA
Reverse Voltage	V _R	5	5	V
Power Dissipation	P _D	180	130	mW
Operating Temperature	Topr	-30 ~ +85		°C
Storage Temperature	Tstg	-40~ +100		°C
Lead Soldering Temperature	Tsol	260°C/5sec		-

*Pulse width Max.10ms Duty ratio max 1/10

■ Directivity



■ Electrical -Optical Characteristics

(Ta=25°C)

Part Number	Color		V _F (V)			I _R (μA)	I _v (mcd)			λD(nm)			θ1/2(deg)
			Min.	Typ.	Max.		Min.	Typ.	Max.	Min.	Typ.	Max.	
			I _F =30mA			V _R =5V	I _F =30mA						
OSW54LZJC1D	White	W5	2.8	3.1	3.6		10	1560	2180	-	-	X=0.27, Y=0.28	-
OSM54LZJC1D	Warm white	M5	2.8	3.1	3.6	10	1560	2180	-	-	X=0.45, Y=0.41	-	120
OSK54LZJC1D	Pink	K5	2.8	3.1	3.6	10	500	750	-	-	X=0.45, Y=0.17	-	120
OSB56LZJC1D	Blue	B5	2.8	3.1	3.6	10	500	750	-	465	465	475	120
OSG58AZJC1D	Pure Green	G5	2.8	3.1	3.6	10	1120	1560	-	520	525	530	120
OSY5PAZJC1D	Yellow	Y5	1.8	2.1	2.6	10	750	1120	-	585	590	595	120
OSO5PAZJC1D	Orange	O5	1.8	2.1	2.6	10	750	1120	-	600	605	610	120
OSR5PAZJC1D	Red	R5	1.8	2.1	2.6	10	750	1120	-	620	625	630	120

*1 Tolerance of measurements of chromaticity coordinates is ±10%

*2 Tolerance of measurements of dominant wavelength is ±1nm

*3 Tolerance of measurements of luminous intensity is ±15%

*4 Tolerance of measurements of forward voltage is ±0.1V