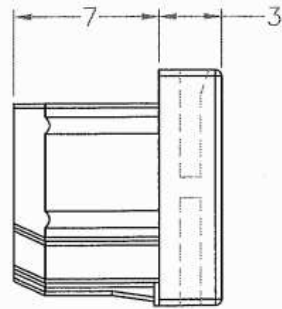
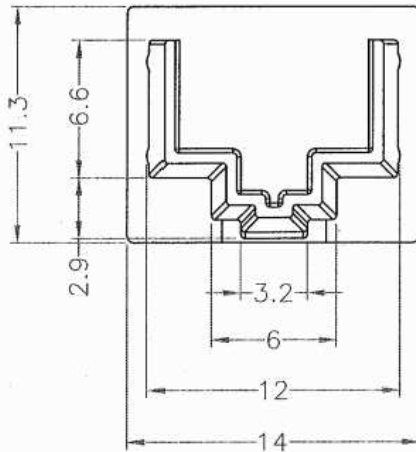
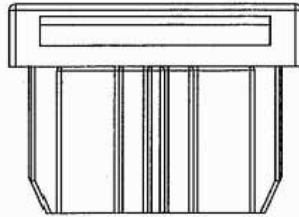


DIM.	TOL
L ≤ 10	±0.2
10 < L ≤ 30	±0.3
30 < L ≤ 50	±0.5
50 < L ≤ 100	±0.7
100 < L ≤ 250	±1.2
ABOVE 250	±1.5

REVISIONS			
REV	DESCRIPTION	DATE	BY



PART NUMBER PJB-45(B)		DRAWING NUMBER PJB-45		TITLE	RJ45 COVER	SPEC. DWG.	
				MATERIAL	NYLON 66 UL94V-2	DATE	2014.07.31
				FINISH		DRAWN	C.S.L
				COLOR	BLACK	CHECK	
SIZE	SCALE	UNIT	REV	UNLESS OTHERWISE SPECIFIED TOLERANCE		APPROVED	
A4	3:1	mm	A	SEE ABOVE			