

# PSR SERIES HIGH-SPEED SQUARE BODY FUSES

Semiconductor Fuses • Flush End • 40 A - 2000 A



## Description

Littelfuse PSR Series High-Speed Square Body Fuses are specially designed for protection of power semiconductor devices such as diodes, triacs, IGBTs, SCRs, MOSFETs and other solid state devices that are typically designed into power conversion and power conditioning equipment. Variable frequency drives, inverters, UPS, rectifiers and soft-starters are examples of typical equipment designed with sensitive power semiconductor devices that cannot withstand any line surge or overcurrent conditions and require high-speed protection.

Littelfuse POWR-SPEED® PSR Series products offer optimized circuit protection at the extremely fast speed required to protect modern day power conversion devices. Such products are commonly found in numerous applications including pulp and paper industries, cranes and heavy-lifting equipment, processing industries, wastewater treatment plants and various large factories and MRO facilities.

## Features/Benefits

- Best in Class DC performance
- Extremely current limiting
- Superior cycling capability
- Global certification cURus, CCC, IEC
- Direct bus-bar mount design
- Visual and optional microswitch fuse blown indication
- Low watt-loss design
- Compliance with US and Canadian requirements
- Class aR performance according to IEC60269-4

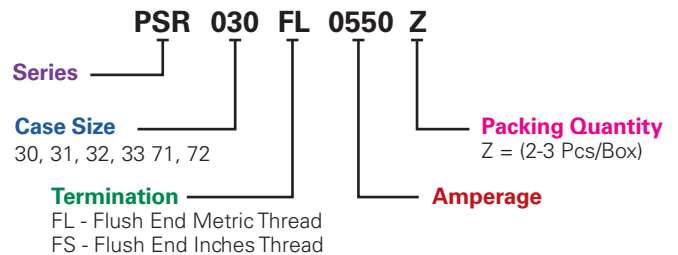
## Applications

- Power Conversion Devices (UPS, Inverter, Rectifiers, Drives)
- DC Systems (DC Common Bus, DC Injection Braking)
- Battery Protection Application (Energy Storage Systems)
- Electric Vehicle Charging Stations
- Heaters and Power Supplies

## Specifications

<b>Voltage Range</b>	AC: 550 V - 1300 V DC: 500 V - 1000 V
<b>Amperage Range</b>	40 A - 2000 A
<b>Interrupting Range</b>	AC: 100 kA - 200 kA DC: 150 kA
<b>Time Constant</b>	10ms
<b>Microswitch</b>	Yes
<b>Mounting</b>	Flush-End Style
<b>Material</b>	Body: Ceramic Contacts: Plated Brass
<b>Approvals</b>	UL 248-13 Recognized (File: E71611) C-UR-US (File: E71611) IEC 60269-4 (Class aR) CCC
<b>Environmental</b>	RoHS Compliant, REACH
<b>Operating Temperature</b>	-55 C° to +125 C°
<b>Storage Temperature</b>	Up to +35 C° with Relative Humidity <65%
<b>Country of Origin</b>	Mexico

## Ordering Part Number



## Catalog Number

SERIES	CASE SIZE	TERMINATION	AMPERAGE	CATALOG NUMBER	ORDERING PART NUMBER
PSR	030	FL	0550	PSR030FL0550	PSR030FL0550Z

## Recommended Accessories

**Microswitch:** MS3H1000C (Case Size 30 to 33)  
MS7H1500C (Case Size 70 to 73)

# PSR SERIES HIGH-SPEED SQUARE BODY FUSES

## Electrical Characteristics

CASE SIZE*	CATALOG NUMBER		AMPERAGE RATING (A)	VOLTAGE RATING (V)			INTERRUPTING RATING		MELTING (PRE-ARC) I <sup>2</sup> T (A <sup>2</sup> s)	TOTAL CLEARING I <sup>2</sup> T (A <sup>2</sup> s) AT RATED VOLTAGE		WATT LOSS AT 100% RATED CURRENT (W)	AGENCY CERTIFICATION	
	FLUSH END METRIC THREAD	FLUSH END INCHES THREAD		AC		DC	AC	DC		AC	DC		cURus	CCC
				IEC	UL									
						AC	DC							
30	PSR030FL0040	PSR030FS0040	40	690	700	600	200kA	150kA	76	280	260	12	•	•
	PSR030FL0050	PSR030FS0050	50	690	700	600	200kA	150kA	110	598	384	15	•	•
	PSR030FL0063	PSR030FS0063	63	690	700	600	200kA	150kA	176	1023	640	20	•	•
	PSR030FL0080	PSR030FS0080	80	690	700	600	200kA	150kA	304	1728	1252	24	•	•
	PSR030FL0100	PSR030FS0100	100	690	700	600	200kA	150kA	437	2835	1575	27	•	•
	PSR030FL0125	PSR030FS0125	125	690	700	600	200kA	150kA	707	4684	2783	36	•	•
	PSR030FL0160	PSR030FS0160	160	690	700	600	200kA	150kA	1359	9114	5507	39	•	•
	PSR030FL0200	PSR030FS0200	200	690	700	600	200kA	150kA	3012	15169	14700	39	•	•
	PSR030FL0250	PSR030FS0250	250	690	700	600	200kA	150kA	4668	29952	20833	50	•	•
	PSR030FL0315	PSR030FS0315	315	690	700	600	200kA	150kA	7131	61830	31600	61	•	•
	PSR030FL0350	PSR030FS0350	350	690	700	600	200kA	150kA	12007	85320	49273	62	•	•
	PSR030FL0400	PSR030FS0400	400	690	700	600	200kA	150kA	16209	114750	63367	75	•	•
	PSR030FL0450	PSR030FS0450	450	690	700	600	200kA	150kA	23133	160110	93533	75	•	•
	PSR030FL0500	PSR030FS0500	500	690	700	600	200kA	150kA	31429	225180	137333	80	•	•
PSR030FL0550	PSR030FS0550	550	690	700	600	200kA	150kA	44323	268920	145400	78	•	•	
31	PSR031FL0200	PSR031FS0200	200	690	700	600	200kA	150kA	1965	17334	16188	49	•	•
	PSR031FL0250	PSR031FS0250	250	690	700	600	200kA	150kA	3789	35343	21080	52	•	•
	PSR031FL0315	PSR031FS0315	315	690	700	600	200kA	150kA	6862	59130	30694	61	•	•
	PSR031FL0350	PSR031FS0350	350	690	700	600	200kA	150kA	9523	76140	40996	63	•	•
	PSR031FL0400	PSR031FS0400	400	690	700	600	200kA	150kA	14770	124335	64359	63	•	•
	PSR031FL0450	PSR031FS0450	450	690	700	600	200kA	150kA	22457	178200	97444	68	•	•
	PSR031FL0500	PSR031FS0500	500	690	700	600	200kA	150kA	29751	251505	125935	74	•	•
	PSR031FL0550	PSR031FS0550	550	690	700	600	200kA	150kA	42056	289170	171845	79	•	•
	PSR031FL0630	PSR031FS0630	630	690	700	600	200kA	150kA	73513	507465	276315	86	•	•
	PSR031FL0700	PSR031FS0700	700	690	700	600	200kA	150kA	98187	601425	337260	89	•	•
PSR031FL0800	PSR031FS0800	800	690	700	600	200kA	150kA	137208	848880	502800	107	•	•	
32	PSR032FL0400	PSR032FS0400	400	690	700	600	200kA	150kA	11104	79650	44533	82	•	•
	PSR032FL0450	PSR032FS0450	450	690	700	600	200kA	150kA	15535	116100	65463	88	•	•
	PSR032FL0500	PSR032FS0500	500	690	700	600	200kA	150kA	21573	161460	88277	94	•	•
	PSR032FL0550	PSR032FS0550	550	690	700	600	200kA	150kA	26327	177660	107960	104	•	•
	PSR032FL0630	PSR032FS0630	630	690	700	600	200kA	150kA	34790	234900	156963	110	•	•
	PSR032FL0700	PSR032FS0700	700	690	700	600	200kA	150kA	51191	291870	209287	117	•	•
	PSR032FL0800	PSR032FS0800	800	690	700	600	200kA	150kA	60125	472770	249000	145	•	•
	PSR032FL0900	PSR032FS0900	900	690	700	600	200kA	150kA	107785	764100	404000	145	•	•
	PSR032FL1000	PSR032FS1000	1000	690	700	600	200kA	150kA	190102	933120	672333	146	•	•
PSR032FL1100	PSR032FS1100	1100	690	700	600	200kA	150kA	225379	1247400	744000	149	•	•	

# PSR SERIES HIGH-SPEED SQUARE BODY FUSES

## Electrical Characteristics (cont.)

CASE SIZE*	CATALOG NUMBER		AMPERAGE RATING (A)	VOLTAGE RATING (V)			INTERRUPTING RATING		MELTING (PRE-ARC) I <sup>2</sup> T (A <sup>2</sup> s)	TOTAL CLEARING I <sup>2</sup> T (A <sup>2</sup> s) AT RATED VOLTAGE		WATT LOSS AT 100% RATED CURRENT (W)	AGENCY CERTIFICATION	
	FLUSH END METRIC THREAD	FLUSH END INCHES THREAD		AC		DC	AC	DC		AC	DC		cURus	CCC
				IEC	UL									
33	PSR033FL0450	PSR033FS0450	450	690	700	600	200kA	150kA	13600	106380	58947	99	•	•
	PSR033FL0500	PSR033FS0500	500	690	700	600	200kA	150kA	16434	140400	77846	107	•	•
	PSR033FL0550	PSR033FS0550	550	690	700	600	200kA	150kA	23314	187650	100461	108	•	•
	PSR033FL0630	PSR033FS0630	630	690	700	600	200kA	150kA	38727	285930	142437	113	•	•
	PSR033FL0700	PSR033FS0700	700	690	700	600	200kA	150kA	56763	392580	209863	113	•	•
	PSR033FL0800	PSR033FS0800	800	690	700	600	200kA	150kA	84691	575505	348500	120	•	•
	PSR033FL0900	PSR033FS0900	900	690	700	600	200kA	150kA	122619	740340	451177	122	•	•
	PSR033FL1000	PSR033FS1000	1000	690	700	600	200kA	150kA	222350	1170450	787750	124	•	•
	PSR033FL1100	PSR033FS1100	1100	690	700	600	200kA	150kA	310824	1568700	821400	127	•	•
	PSR033FL1250	PSR033FS1250	1250	690	700	600	200kA	150kA	476902	2403000	1674333	131	•	•
	PSR033FL1400	PSR033FS1400	1400	690	700	500	200kA	150kA	583552	2920050	1979750	144	•	•
	PSR033FL1500	PSR033FS1500	1500	600	650	500	200kA	150kA	674538	2433200	1996733	163	•	•
	PSR033FL1600	PSR033FS1600	1600	600	650	500	200kA	150kA	779948	2942800	2301633	182	•	•
	PSR033FL1800	PSR033FS1800	1800	600	650	500	200kA	150kA	952196	3785040	2724180	224	•	•
PSR033FL2000	PSR033FS2000	2000	550	600	500	200kA	150kA	1234315	4131600	3755180	222	•	•	
71	PSR071FL0160	PSR071FS0160	160	1250	1300	1000	100kA	150kA	2601	22550	9767	45	•	•
	PSR071FL0200	PSR071FS0200	200	1250	1300	1000	100kA	150kA	5188	41738	20333	53	•	•
	PSR071FL0250	PSR071FS0250	250	1250	1300	1000	100kA	150kA	10215	82000	41000	55	•	•
	PSR071FL0280	PSR071FS0280	280	1250	1300	1000	100kA	150kA	10215	82000	41000	55	•	•
	PSR071FL0315	PSR071FS0315	315	1250	1300	1000	100kA	150kA	21859	156347	75500	55	•	•
	PSR071FL0350	PSR071FS0350	350	1250	1300	1000	100kA	150kA	25199	180400	89333	65	•	•
	PSR071FL0400	PSR071FS0400	400	1250	1300	1000	100kA	150kA	40153	256933	143333	69	•	•
PSR071FL0450	PSR071FS0450	450	1250	1300	1000	100kA	150kA	55163	340822	191600	75	•	•	
72	PSR072FL0500	PSR072FS0500	500	1250	1300	1000	100kA	150kA	55452	340300	196667	107	•	•
	PSR072FL0550	PSR072FS0550	550	1250	1300	1000	100kA	150kA	65119	431867	246667	114	•	•
	PSR072FL0630	PSR072FS0630	630	1250	1300	1000	100kA	150kA	114904	663790	404000	107	•	•

\* Case Size 70 and 73 – Coming Soon

# PSR SERIES HIGH-SPEED SQUARE BODY FUSES

## Ordering Information

CASE SIZE	FLUSH END - METRIC THREAD			FLUSH END - INCHES THREAD			BOX QUANTITY PCS/BOX
	CATALOG NUMBER	ORDERING PART NUMBER	UPC	CATALOG NUMBER	ORDERING PART NUMBER	UPC	
30	PSR030FL0040	PSR030FL0040Z	07945820436	PSR030FS0040	PSR030FS0040Z	07945820451	3 Pcs/Box
	PSR030FL0050	PSR030FL0050Z	07945820437	PSR030FS0050	PSR030FS0050Z	07945820452	3 Pcs/Box
	PSR030FL0063	PSR030FL0063Z	07945820438	PSR030FS0063	PSR030FS0063Z	07945820453	3 Pcs/Box
	PSR030FL0080	PSR030FL0080Z	07945820439	PSR030FS0080	PSR030FS0080Z	07945820454	3 Pcs/Box
	PSR030FL0100	PSR030FL0100Z	07945820440	PSR030FS0100	PSR030FS0100Z	07945820455	3 Pcs/Box
	PSR030FL0125	PSR030FL0125Z	07945820441	PSR030FS0125	PSR030FS0125Z	07945820456	3 Pcs/Box
	PSR030FL0160	PSR030FL0160Z	07945820442	PSR030FS0160	PSR030FS0160Z	07945820457	3 Pcs/Box
	PSR030FL0200	PSR030FL0200Z	07945820443	PSR030FS0200	PSR030FS0200Z	07945820458	3 Pcs/Box
	PSR030FL0250	PSR030FL0250Z	07945820444	PSR030FS0250	PSR030FS0250Z	07945820459	3 Pcs/Box
	PSR030FL0315	PSR030FL0315Z	07945820445	PSR030FS0315	PSR030FS0315Z	07945820460	3 Pcs/Box
	PSR030FL0350	PSR030FL0350Z	07945820446	PSR030FS0350	PSR030FS0350Z	07945820461	3 Pcs/Box
	PSR030FL0400	PSR030FL0400Z	07945820447	PSR030FS0400	PSR030FS0400Z	07945820462	3 Pcs/Box
	PSR030FL0450	PSR030FL0450Z	07945820448	PSR030FS0450	PSR030FS0450Z	07945820463	3 Pcs/Box
	PSR030FL0500	PSR030FL0500Z	07945820449	PSR030FS0500	PSR030FS0500Z	07945820464	3 Pcs/Box
PSR030FL0550	PSR030FL0550Z	07945820450	PSR030FS0550	PSR030FS0550Z	07945820465	3 Pcs/Box	
31	PSR031FL0200	PSR031FL0200Z	07945820466	PSR031FS0200	PSR031FS0200Z	07945820477	3 Pcs/Box
	PSR031FL0250	PSR031FL0250Z	07945820467	PSR031FS0250	PSR031FS0250Z	07945820478	3 Pcs/Box
	PSR031FL0315	PSR031FL0315Z	07945820468	PSR031FS0315	PSR031FS0315Z	07945820479	3 Pcs/Box
	PSR031FL0350	PSR031FL0350Z	07945820469	PSR031FS0350	PSR031FS0350Z	07945820480	3 Pcs/Box
	PSR031FL0400	PSR031FL0400Z	07945820470	PSR031FS0400	PSR031FS0400Z	07945820481	3 Pcs/Box
	PSR031FL0450	PSR031FL0450Z	07945820471	PSR031FS0450	PSR031FS0450Z	07945820482	3 Pcs/Box
	PSR031FL0500	PSR031FL0500Z	07945820472	PSR031FS0500	PSR031FS0500Z	07945820483	3 Pcs/Box
	PSR031FL0550	PSR031FL0550Z	07945820473	PSR031FS0550	PSR031FS0550Z	07945820484	3 Pcs/Box
	PSR031FL0630	PSR031FL0630Z	07945820474	PSR031FS0630	PSR031FS0630Z	07945820485	3 Pcs/Box
	PSR031FL0700	PSR031FL0700Z	07945820475	PSR031FS0700	PSR031FS0700Z	07945820486	3 Pcs/Box
PSR031FL0800	PSR031FL0800Z	07945820476	PSR031FS0800	PSR031FS0800Z	07945820487	3 Pcs/Box	
32	PSR032FL0400	PSR032FL0400Z	07945820488	PSR032FS0400	PSR032FS0400Z	07945820498	3 Pcs/Box
	PSR032FL0450	PSR032FL0450Z	07945820489	PSR032FS0450	PSR032FS0450Z	07945820499	3 Pcs/Box
	PSR032FL0500	PSR032FL0500Z	07945820490	PSR032FS0500	PSR032FS0500Z	07945820500	3 Pcs/Box
	PSR032FL0550	PSR032FL0550Z	07945820491	PSR032FS0550	PSR032FS0550Z	07945820501	3 Pcs/Box
	PSR032FL0630	PSR032FL0630Z	07945820492	PSR032FS0630	PSR032FS0630Z	07945820502	3 Pcs/Box
	PSR032FL0700	PSR032FL0700Z	07945820493	PSR032FS0700	PSR032FS0700Z	07945820503	3 Pcs/Box
	PSR032FL0800	PSR032FL0800Z	07945820494	PSR032FS0800	PSR032FS0800Z	07945820504	3 Pcs/Box
	PSR032FL0900	PSR032FL0900Z	07945820495	PSR032FS0900	PSR032FS0900Z	07945820505	3 Pcs/Box
	PSR032FL1000	PSR032FL1000Z	07945820496	PSR032FS1000	PSR032FS1000Z	07945820506	3 Pcs/Box
	PSR032FL1100	PSR032FL1100Z	07945820497	PSR032FS1100	PSR032FS1100Z	07945820507	3 Pcs/Box

# PSR SERIES HIGH-SPEED SQUARE BODY FUSES

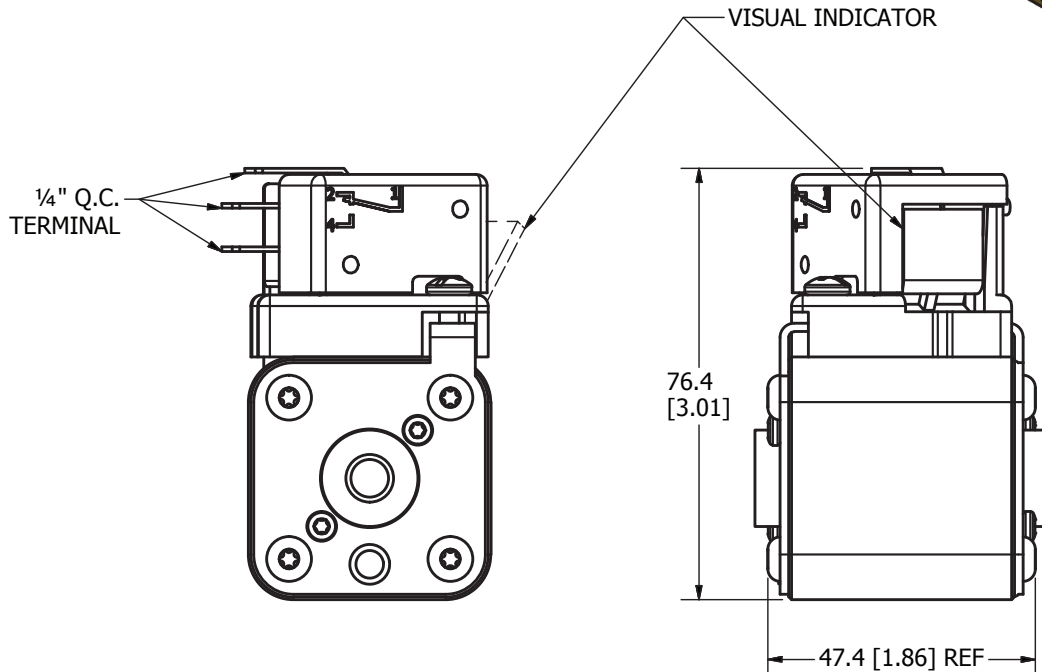
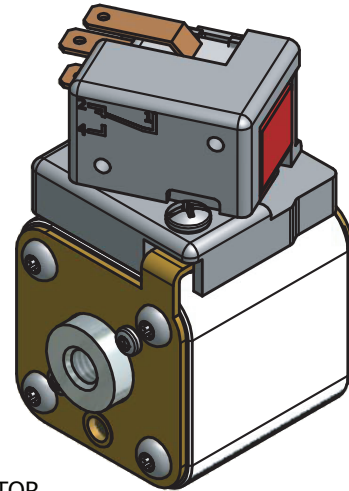
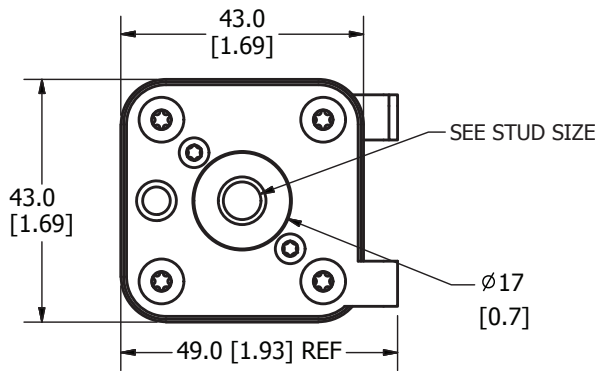
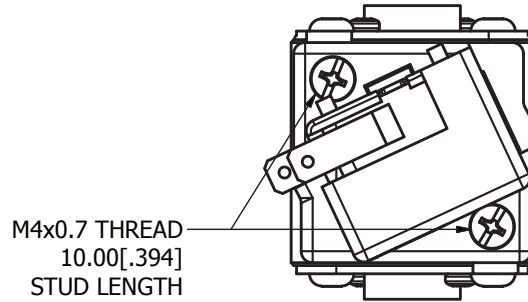
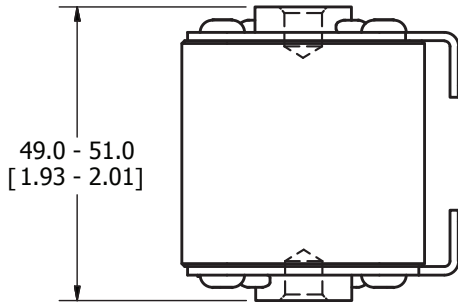
## Ordering Information (cont.)

CASE SIZE	FLUSH END - METRIC THREAD			FLUSH END - INCHES THREAD			BOX QUANTITY PCS/BOX
	CATALOG NUMBER	ORDERING PART NUMBER	UPC	CATALOG NUMBER	ORDERING PART NUMBER	UPC	
33	PSR033FL0450	PSR033FL0450Z	07945822163	PSR033FS0450	PSR033FS0450Z	07945822164	3 Pcs/Box
	PSR033FL0500	PSR033FL0500Z	07945820508	PSR033FS0500	PSR033FS0500Z	07945820522	3 Pcs/Box
	PSR033FL0550	PSR033FL0550Z	07945820509	PSR033FS0550	PSR033FS0550Z	07945820523	3 Pcs/Box
	PSR033FL0630	PSR033FL0630Z	07945820510	PSR033FS0630	PSR033FS0630Z	07945820524	3 Pcs/Box
	PSR033FL0700	PSR033FL0700Z	07945820511	PSR033FS0700	PSR033FS0700Z	07945820525	3 Pcs/Box
	PSR033FL0800	PSR033FL0800Z	07945820512	PSR033FS0800	PSR033FS0800Z	07945820526	3 Pcs/Box
	PSR033FL0900	PSR033FL0900Z	07945820513	PSR033FS0900	PSR033FS0900Z	07945820527	3 Pcs/Box
	PSR033FL1000	PSR033FL1000Z	07945820514	PSR033FS1000	PSR033FS1000Z	07945820528	3 Pcs/Box
	PSR033FL1100	PSR033FL1100Z	07945820515	PSR033FS1100	PSR033FS1100Z	07945820529	3 Pcs/Box
	PSR033FL1250	PSR033FL1250Z	07945820516	PSR033FS1250	PSR033FS1250Z	07945820530	3 Pcs/Box
	PSR033FL1400	PSR033FL1400Z	07945820517	PSR033FS1400	PSR033FS1400Z	07945820531	3 Pcs/Box
	PSR033FL1500	PSR033FL1500Z	07945820518	PSR033FS1500	PSR033FS1500Z	07945820532	3 Pcs/Box
	PSR033FL1600	PSR033FL1600Z	07945820519	PSR033FS1600	PSR033FS1600Z	07945820533	3 Pcs/Box
	PSR033FL1800	PSR033FL1800Z	07945820520	PSR033FS1800	PSR033FS1800Z	07945820534	3 Pcs/Box
PSR033FL2000	PSR033FL2000Z	07945820521	PSR033FS2000	PSR033FS2000Z	07945820535	3 Pcs/Box	
71	PSR071FL0160	PSR071FL0160Z	07945820556	PSR071FS0160	PSR071FS0160Z	07945820564	2 Pcs/Box
	PSR071FL0200	PSR071FL0200Z	07945820557	PSR071FS0200	PSR071FS0200Z	07945820565	2 Pcs/Box
	PSR071FL0250	PSR071FL0250Z	07945820558	PSR071FS0250	PSR071FS0250Z	07945820566	2 Pcs/Box
	PSR071FL0280	PSR071FL0280Z	07945820573	PSR071FS0280	PSR071FS0280Z	07945820582	2 Pcs/Box
	PSR071FL0315	PSR071FL0315Z	07945820560	PSR071FS0315	PSR071FS0315Z	07945820568	2 Pcs/Box
	PSR071FL0350	PSR071FL0350Z	07945820561	PSR071FS0350	PSR071FS0350Z	07945820569	2 Pcs/Box
	PSR071FL0400	PSR071FL0400Z	07945820562	PSR071FS0400	PSR071FS0400Z	07945820570	2 Pcs/Box
	PSR071FL0450	PSR071FL0450Z	07945820563	PSR071FS0450	PSR071FS0450Z	07945820571	2 Pcs/Box
72	PSR072FL0500	PSR072FL0500Z	07945820578	PSR072FS0500	PSR072FS0500Z	07945820587	2 Pcs/Box
	PSR072FL0550	PSR072FL0550Z	07945820579	PSR072FS0550	PSR072FS0550Z	07945820588	2 Pcs/Box
	PSR072FL0630	PSR072FL0630Z	07945820580	PSR072FS0630	PSR072FS0630Z	07945820589	2 Pcs/Box

# PSR SERIES HIGH-SPEED SQUARE BODY FUSES

## Dimensions (30 Case Size) Millimeters [inches]

<b>Document Number:</b>	OL-PSR030FL0000 Rev. B and OL-PSR030FS0000 Rev. B
<b>FL Stud Size:</b>	M8 x 1.25 - 6H $\nabla$ 6.0 [0.24]
<b>FS Stud Size:</b>	5/16-18UNC -2B $\nabla$ 6.0 [0.24]
<b>Recommended Torque:</b>	13.5 Nm

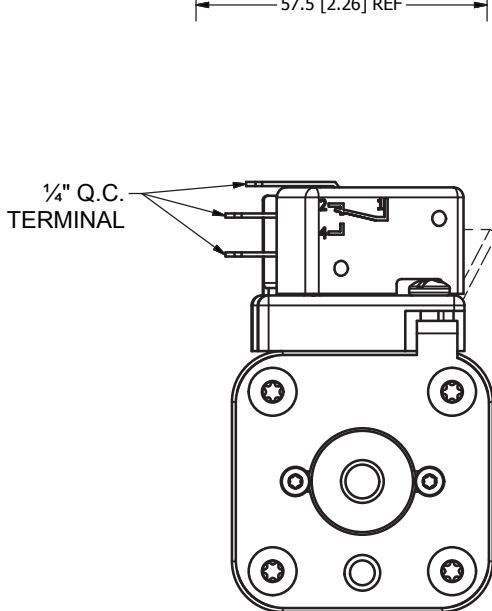
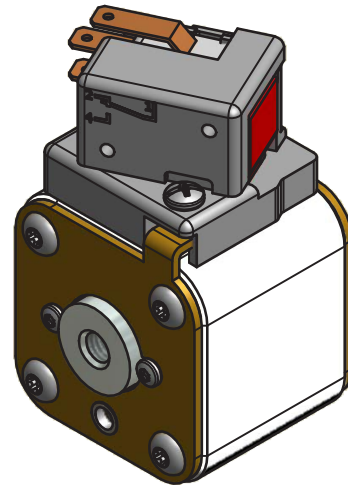
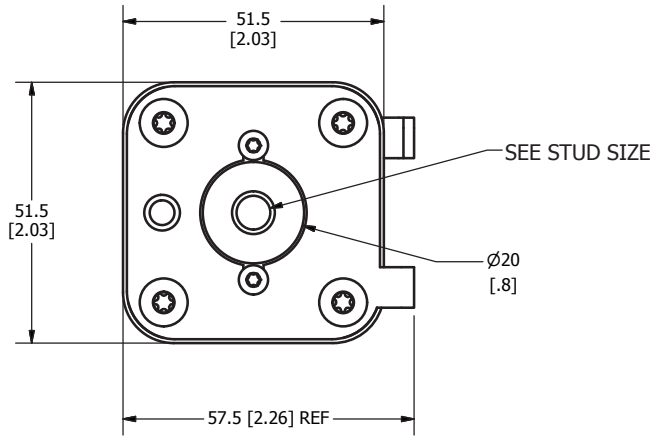
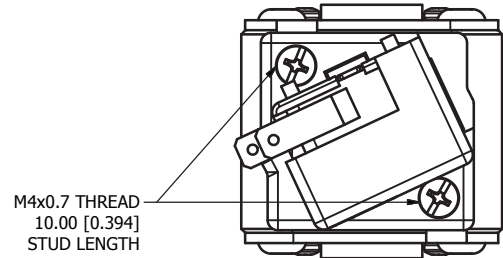
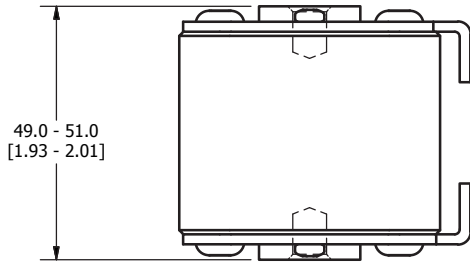


FUSE WITH MICROSWITCH

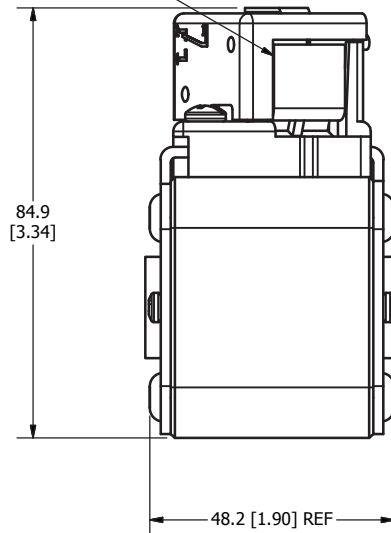
# PSR SERIES HIGH-SPEED SQUARE BODY FUSES

## Dimensions (31 Case Size) Millimeters [inches]

**Document Number:** OL-PSR031FS0000 Rev B and OL-PSR031FL0000 Rev. B  
**FL Stud Size:** M8x1.25 - 6H  $\nabla$  8.0 [0.31]  
**FS Stud Size:** 5/16-18 UNC-2B  $\nabla$  8.0 [0.31]  
**Recommended Torque:** 13.5 Nm



VISUAL INDICATOR



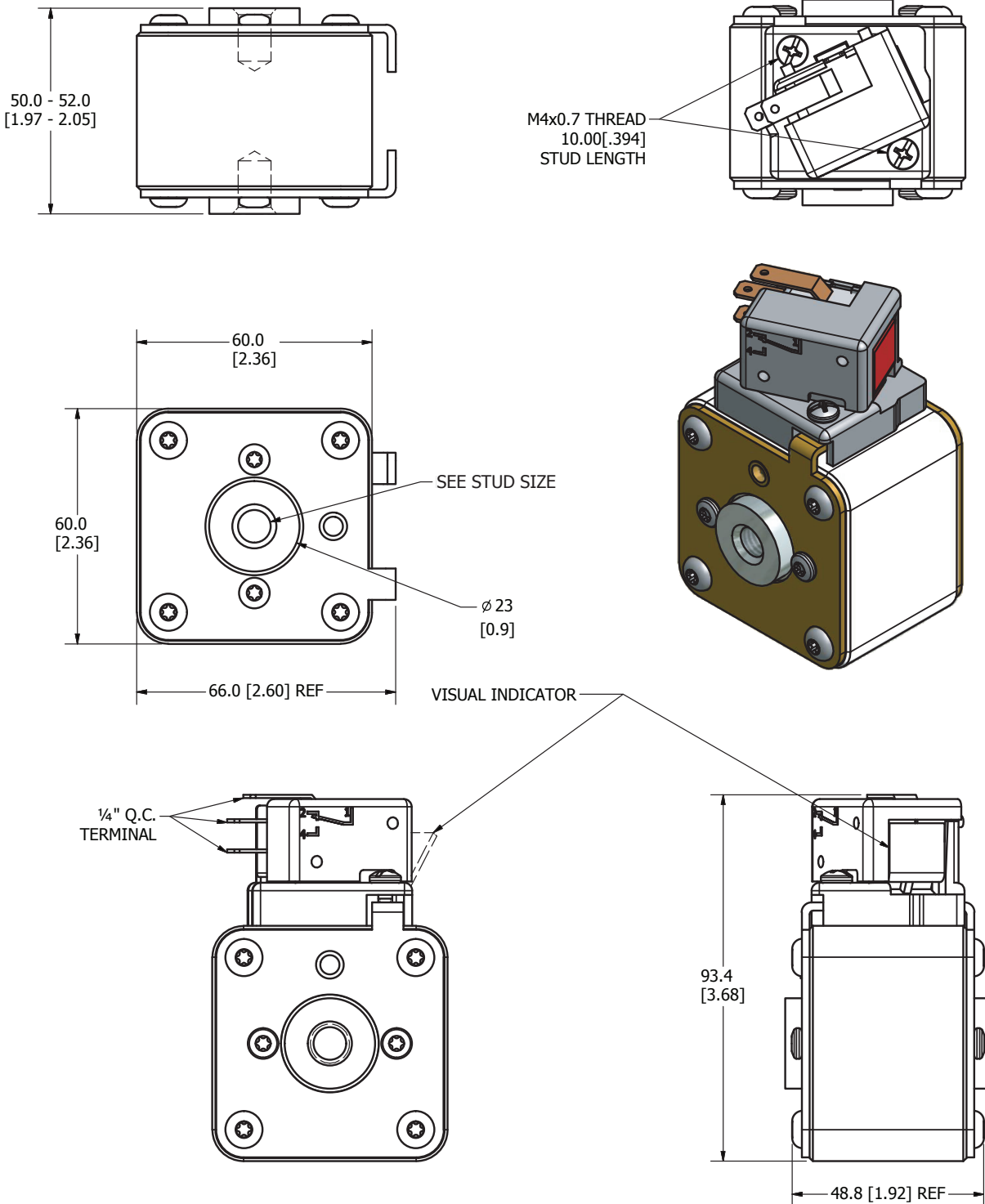
FUSE WITH MICROSWITCH



# PSR SERIES HIGH-SPEED SQUARE BODY FUSES

## Dimensions (32 Case Size) Millimeters [inches]

<b>Document Number:</b>	OL-PSR032FL0000 Rev. B and OL-PSR032FS0000 Rev. B
<b>FL Stud Size:</b>	M10x1.5 - 6H ▽ 11.5 [0.45]
<b>FS Stud Size:</b>	3/8-16UNC -2B ▽ 11.5 [0.45]
<b>Recommended Torque:</b>	26 Nm



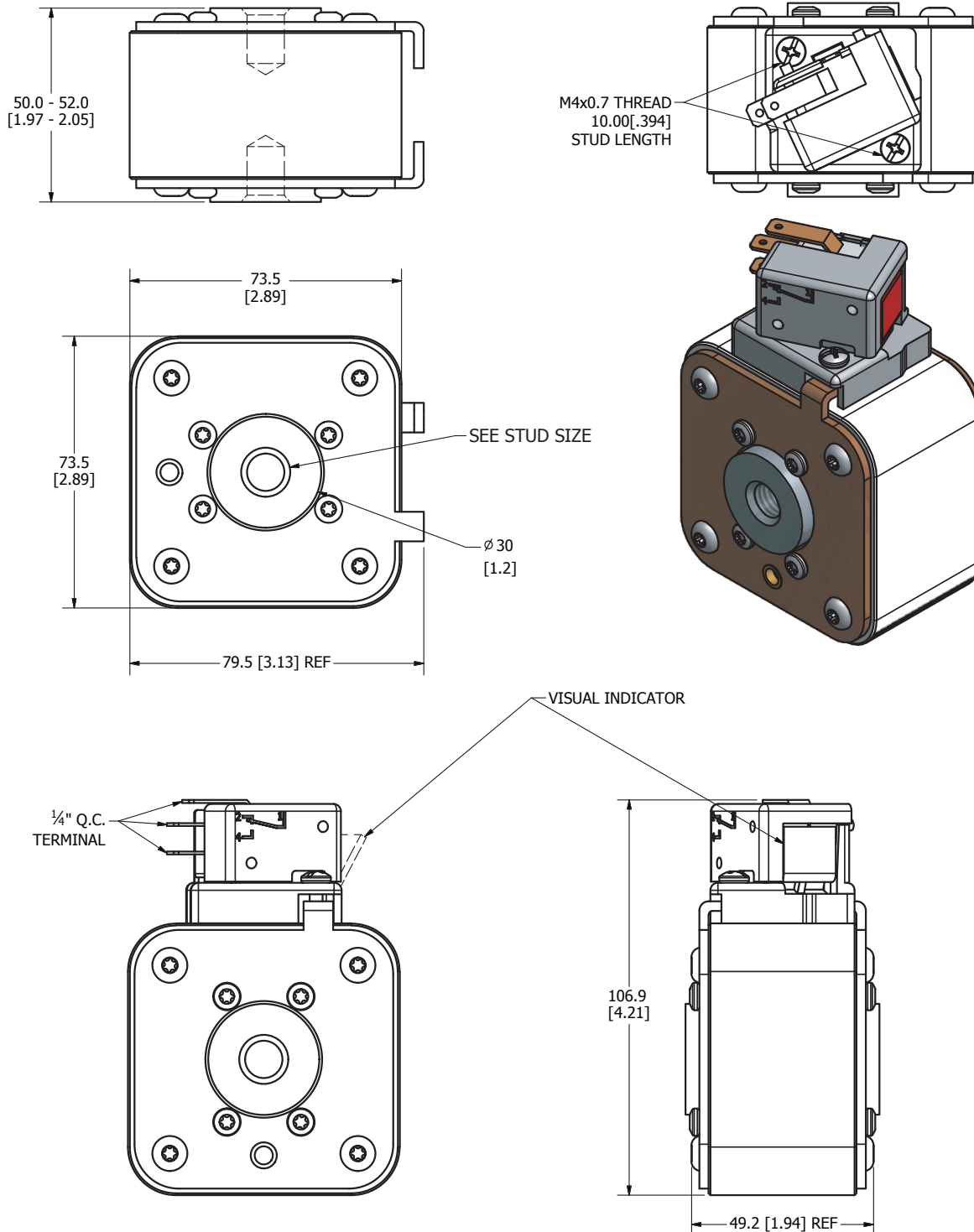
FUSE WITH MICROSWITCH



# PSR SERIES HIGH-SPEED SQUARE BODY FUSES

## Dimensions (33 Case Size) Millimeters [inches]

**Document Number:** OL-PSR033FL0000 Rev. B and OL-PSR033FS0000 Rev. B  
**FL Stud Size:** M12x1.75 - 6H ▽ 13.0 [0.51]  
**FS Stud Size:** 1/2-13UNC -2B ▽ 13.0 [0.51]  
**Recommended Torque:** 45 Nm

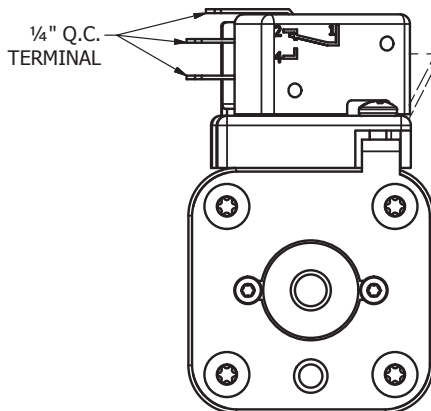
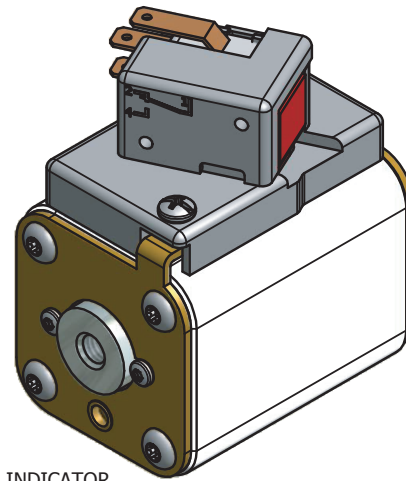
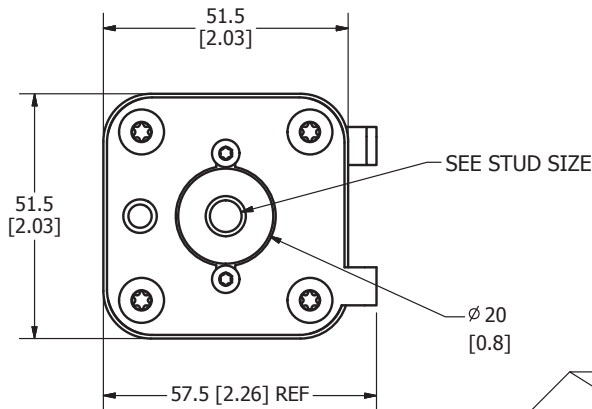
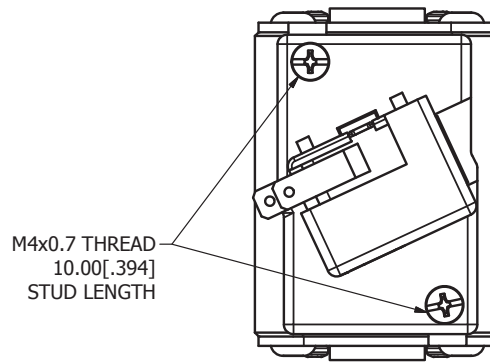
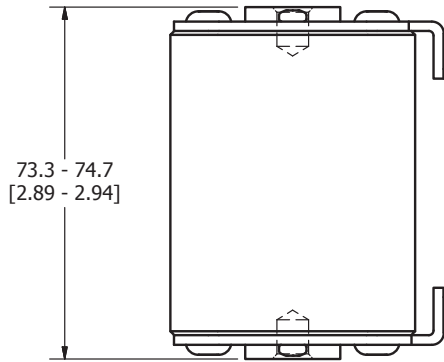


FUSE WITH MICROSWITCH

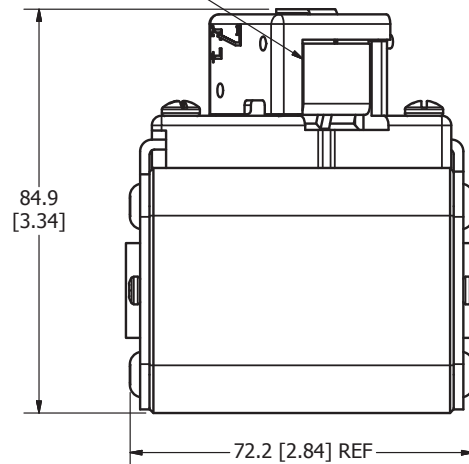
# PSR SERIES HIGH-SPEED SQUARE BODY FUSES

## Dimensions (71 Case Size) Millimeters [inches]

**Document Number:** OL-PSR071FL0000 Rev. B and OL-PSR071FS0000 Rev. B  
**FL Stud Size:** M8x1.25 - 6H ▽ 8.0 [0.31]  
**FS Stud Size:** 5/16-18UNC -2B ▽ 8.0 [0.31]  
**Recommended Torque:** 13.5 Nm



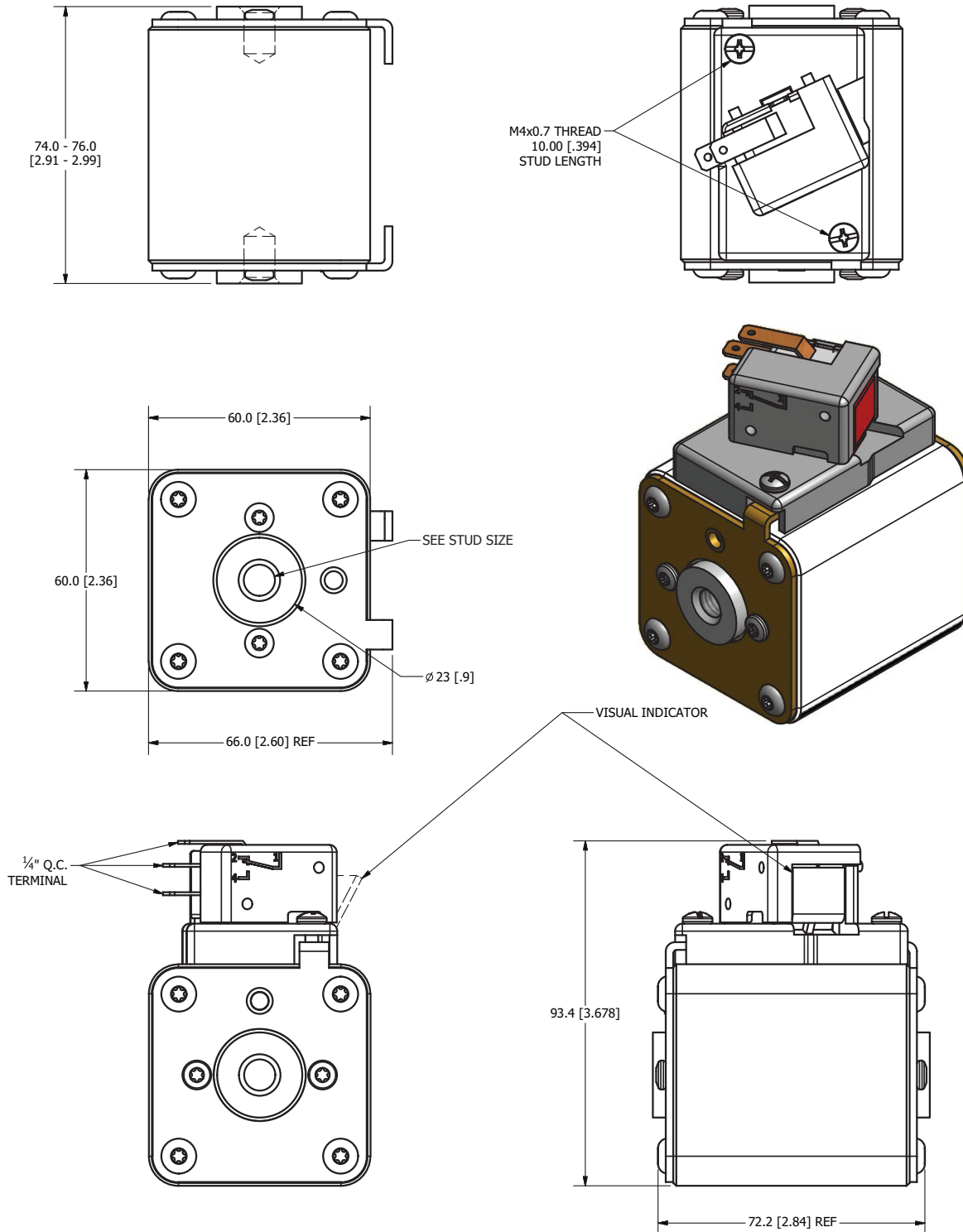
FUSE WITH MICROSWITCH



# PSR SERIES HIGH-SPEED SQUARE BODY FUSES

## Dimensions (72 Case Size) Millimeters [inches]

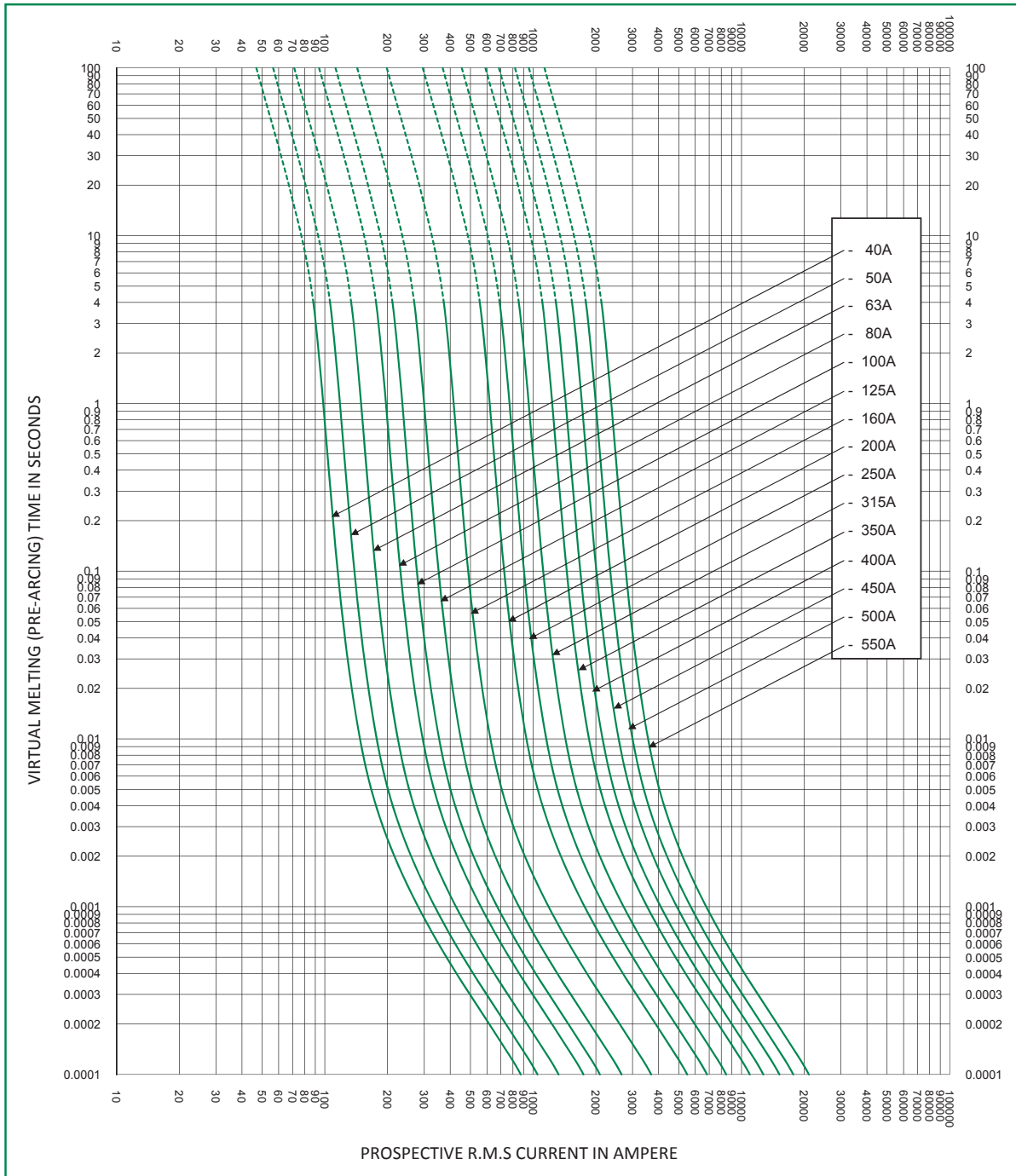
**Document Number:** OL-PSR072FL0000 Rev. B and OL-PSR072FS0000 Rev. B  
**FL Stud Size:** M10x1.5 - 6H ▽ 11.5 [0.45]  
**FS Stud Size:** 3/8-16UNC -2B ▽ 11.5 [0.45]  
**Recommended Torque:** 26 Nm



FUSE WITH MICROSWITCH

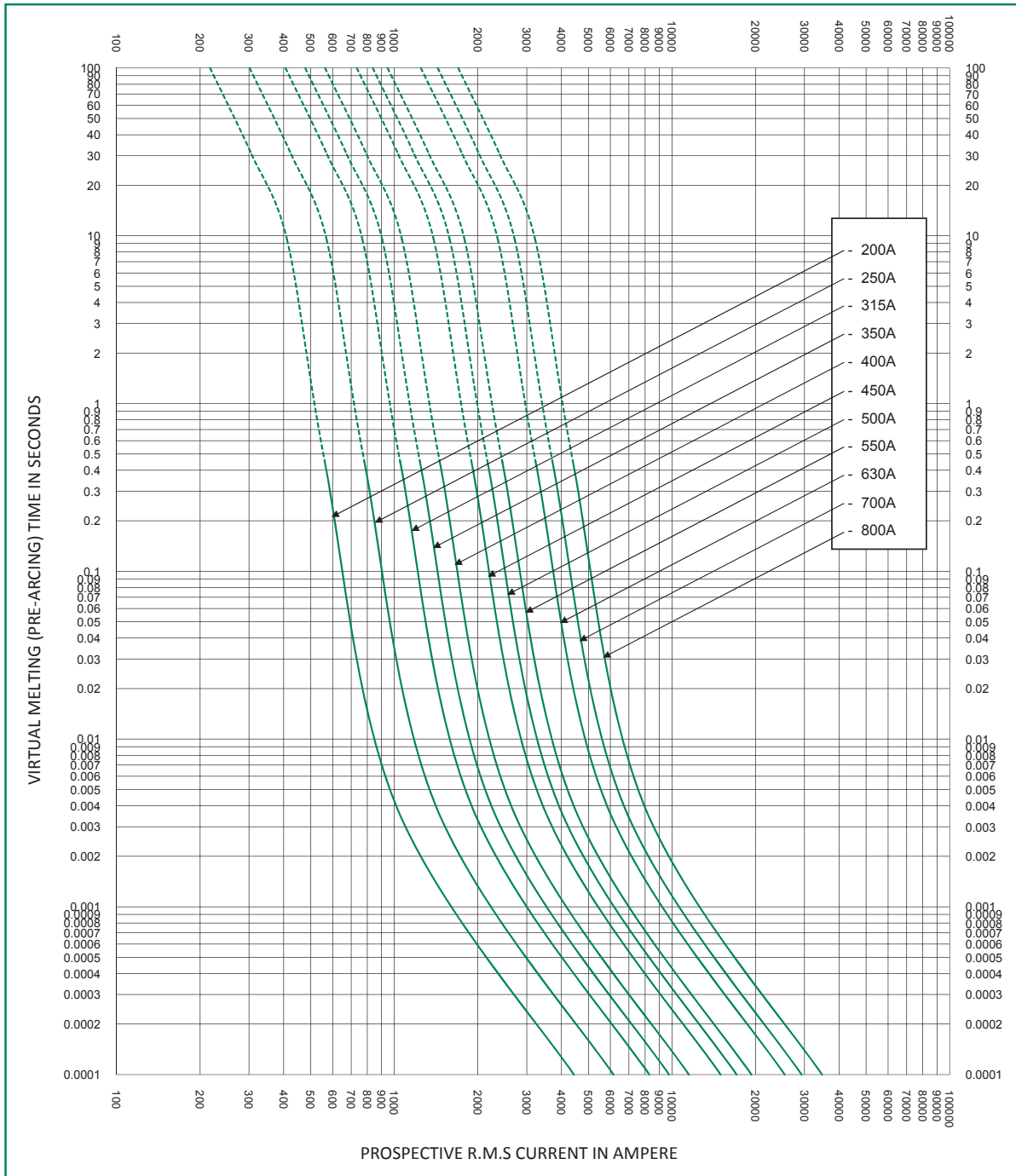
# PSR SERIES HIGH-SPEED SQUARE BODY FUSES

## Time Current Curve (30 Case Size)



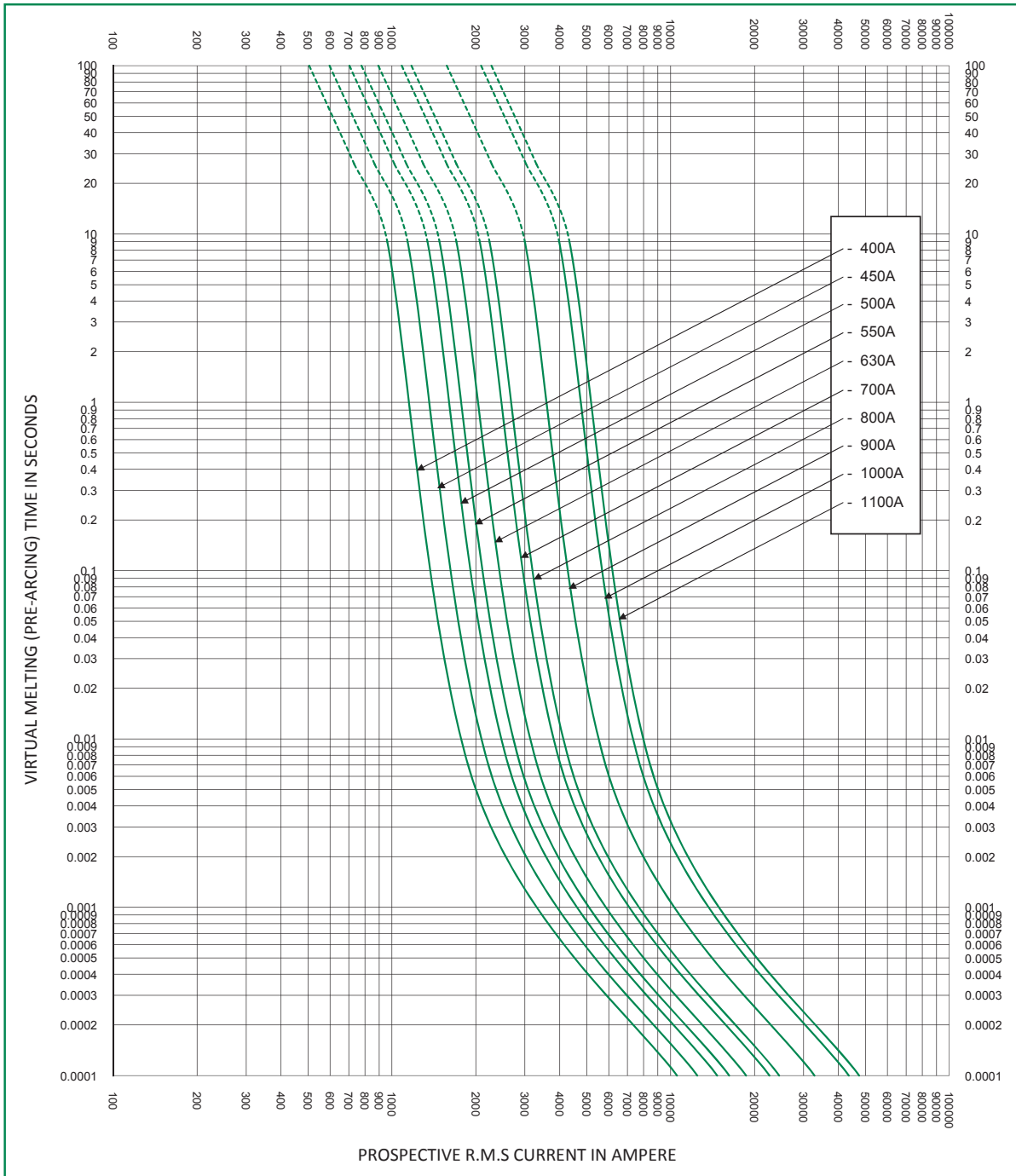
# PSR SERIES HIGH-SPEED SQUARE BODY FUSES

## Time Current Curve (31 Case Size)



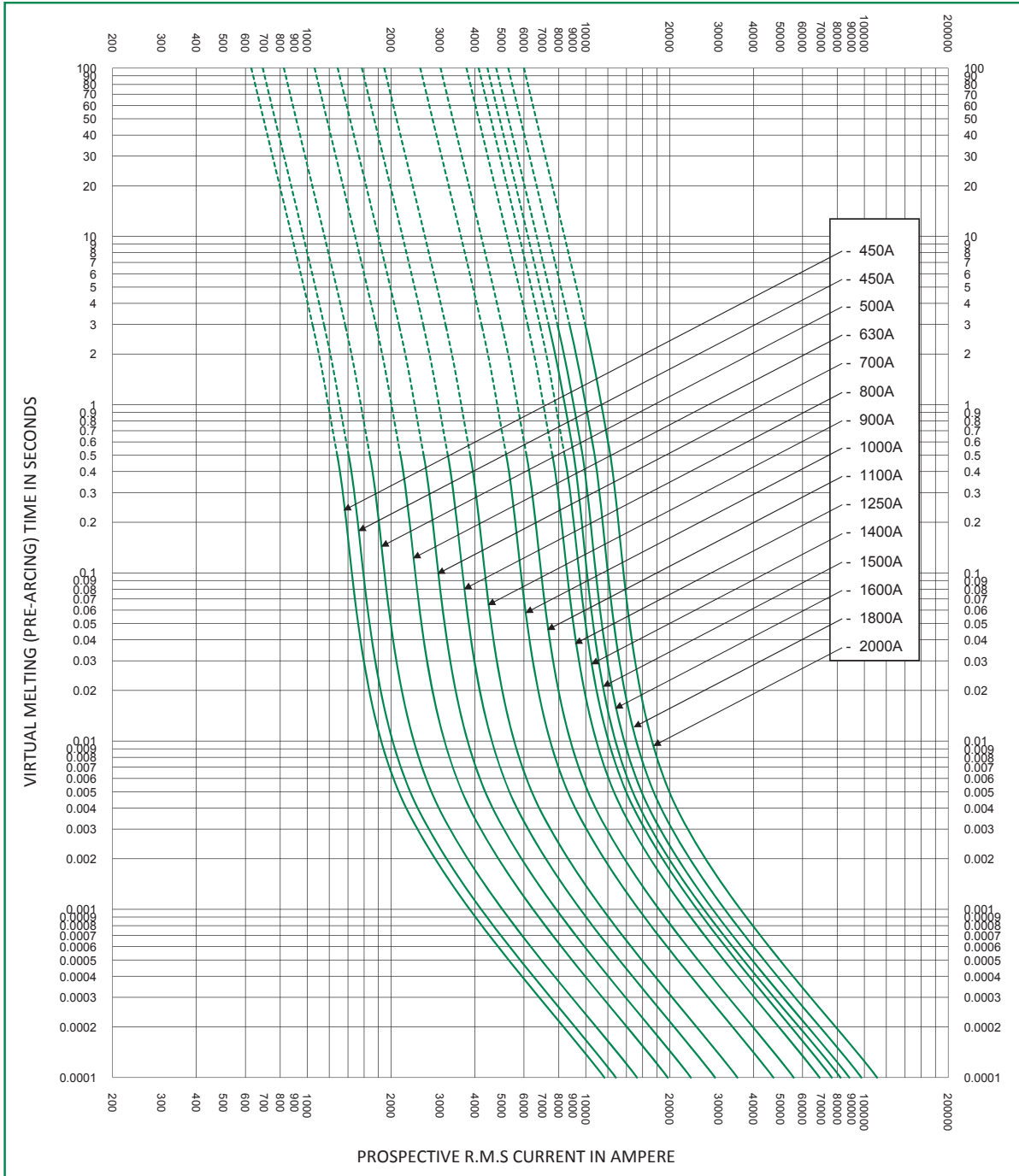
# PSR SERIES HIGH-SPEED SQUARE BODY FUSES

## Time Current Curve (32 Case Size)



# PSR SERIES HIGH-SPEED SQUARE BODY FUSES

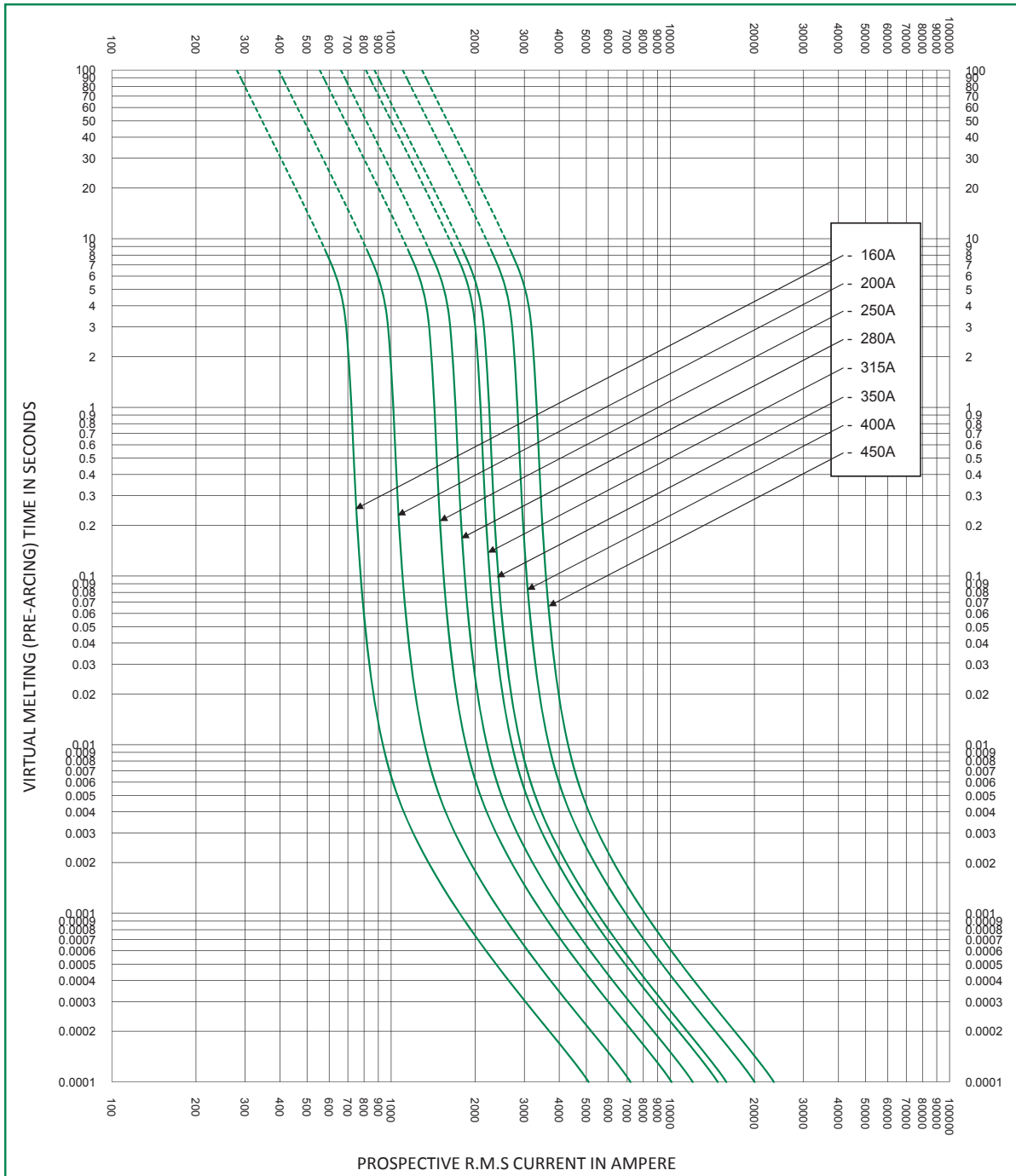
## Time Current Curve (33 Case Size)





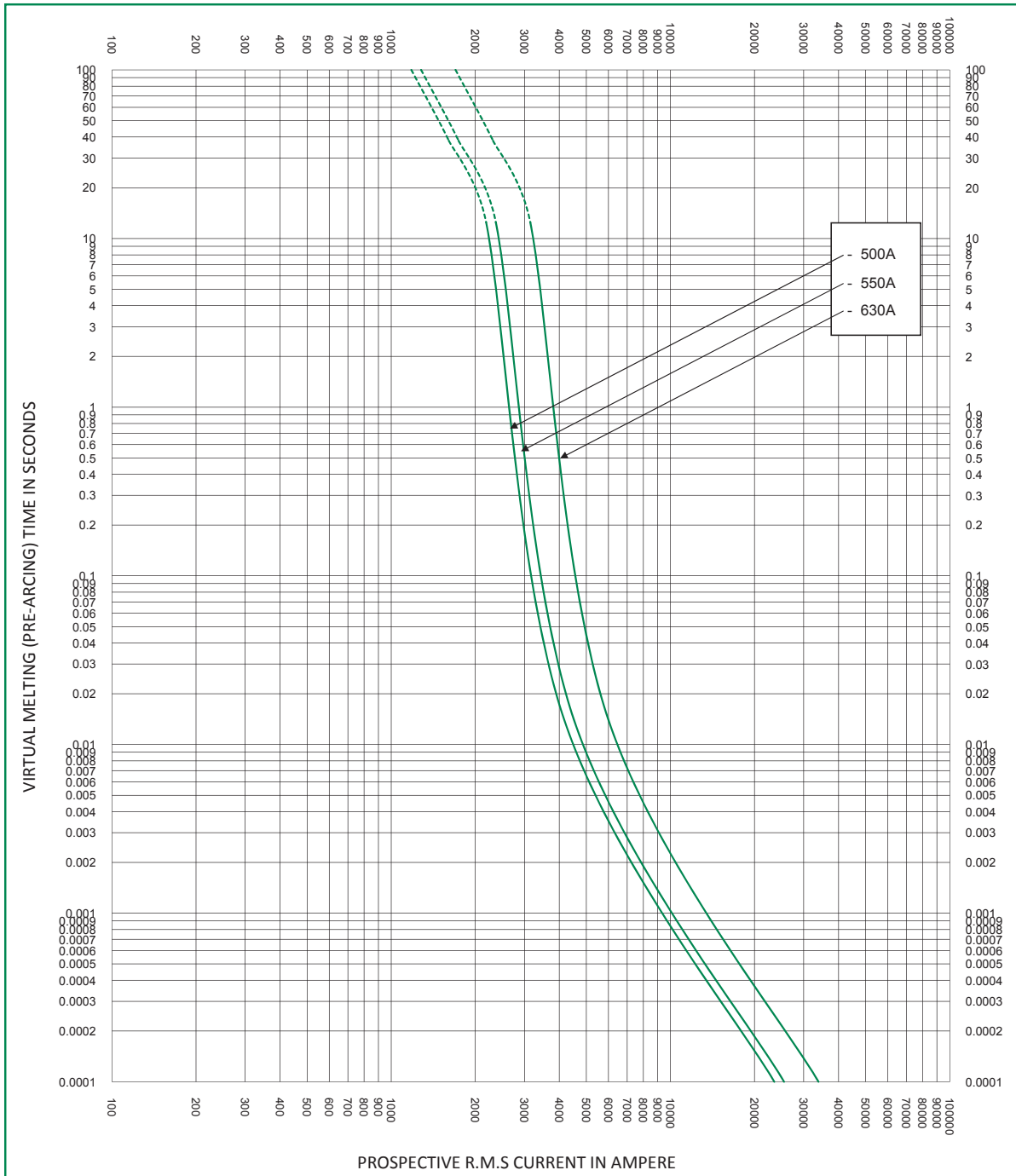
# PSR SERIES HIGH-SPEED SQUARE BODY FUSES

## Time Current Curve (71 Case Size)



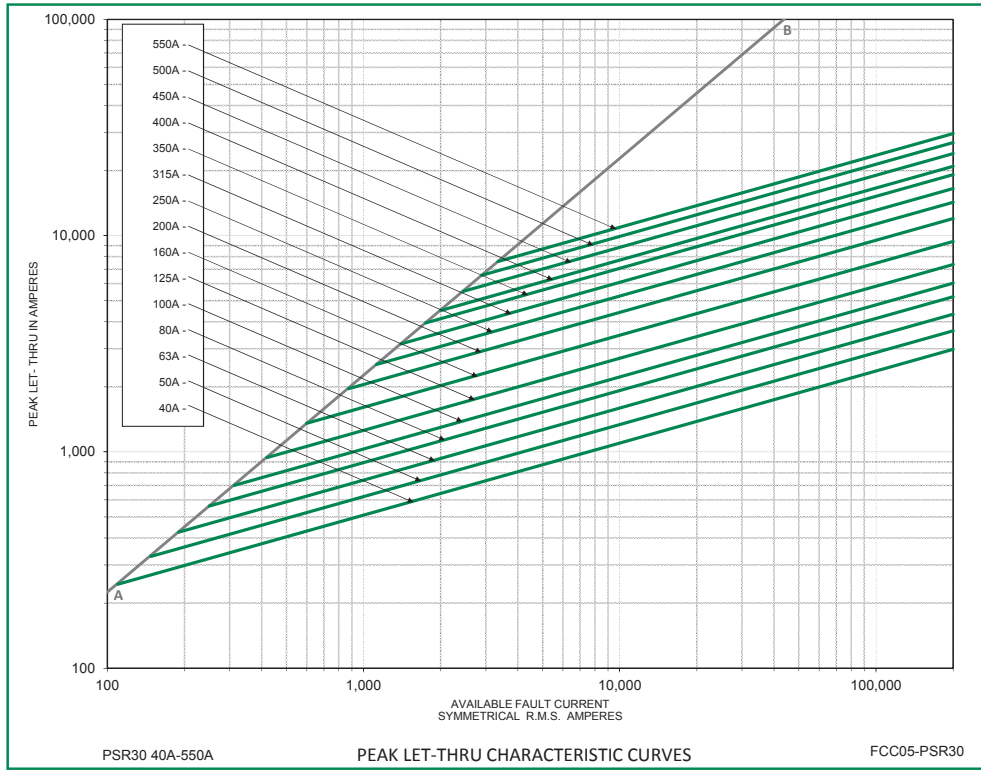
# PSR SERIES HIGH-SPEED SQUARE BODY FUSES

## Time Current Curve (72 Case Size)

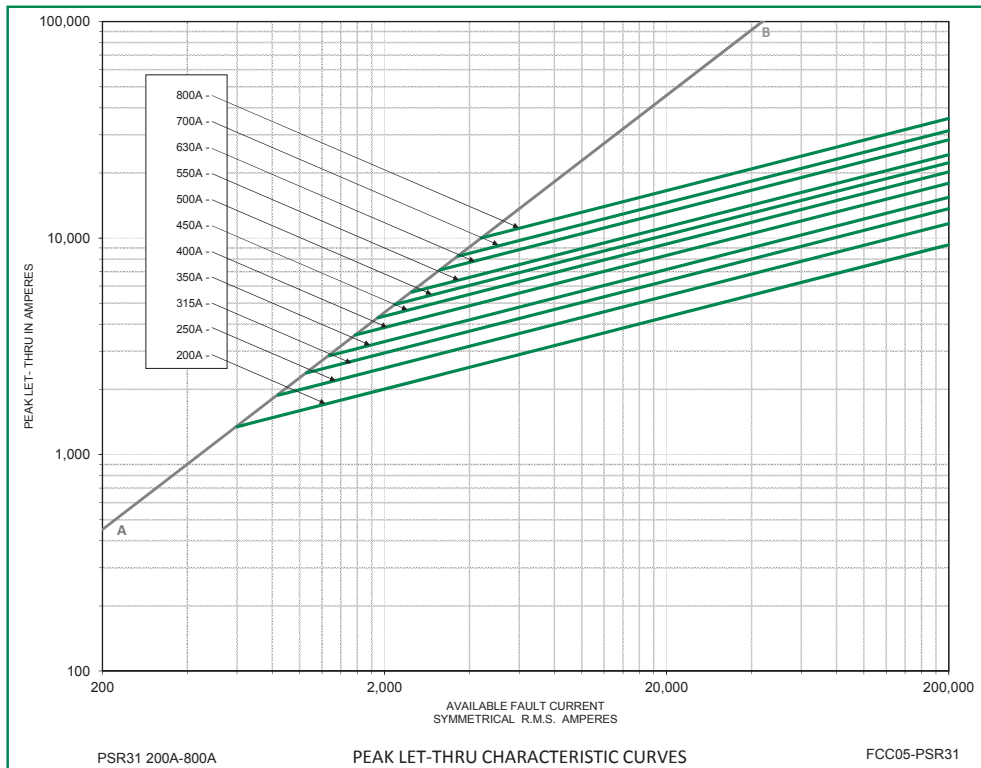


# PSR SERIES HIGH-SPEED SQUARE BODY FUSES

## Peak Let-Thru Curve (30 Case Size)

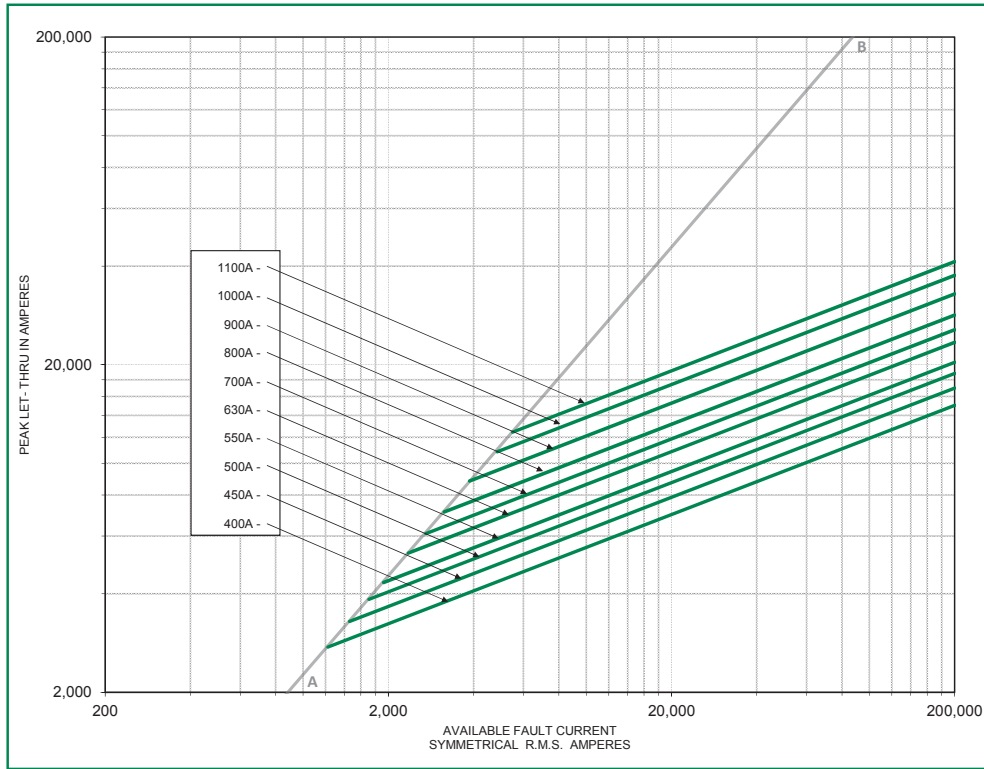


## Peak Let-Thru Curve (31 Case Size)

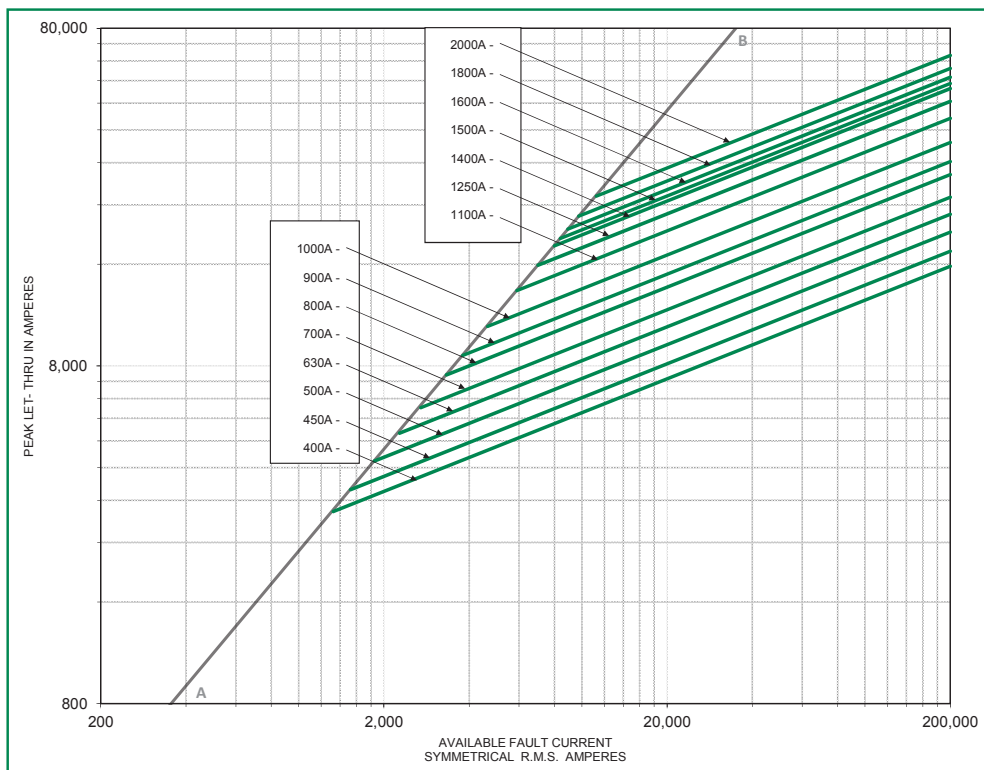


# PSR SERIES HIGH-SPEED SQUARE BODY FUSES

## Peak Let-Thru Curve (32 Case Size)

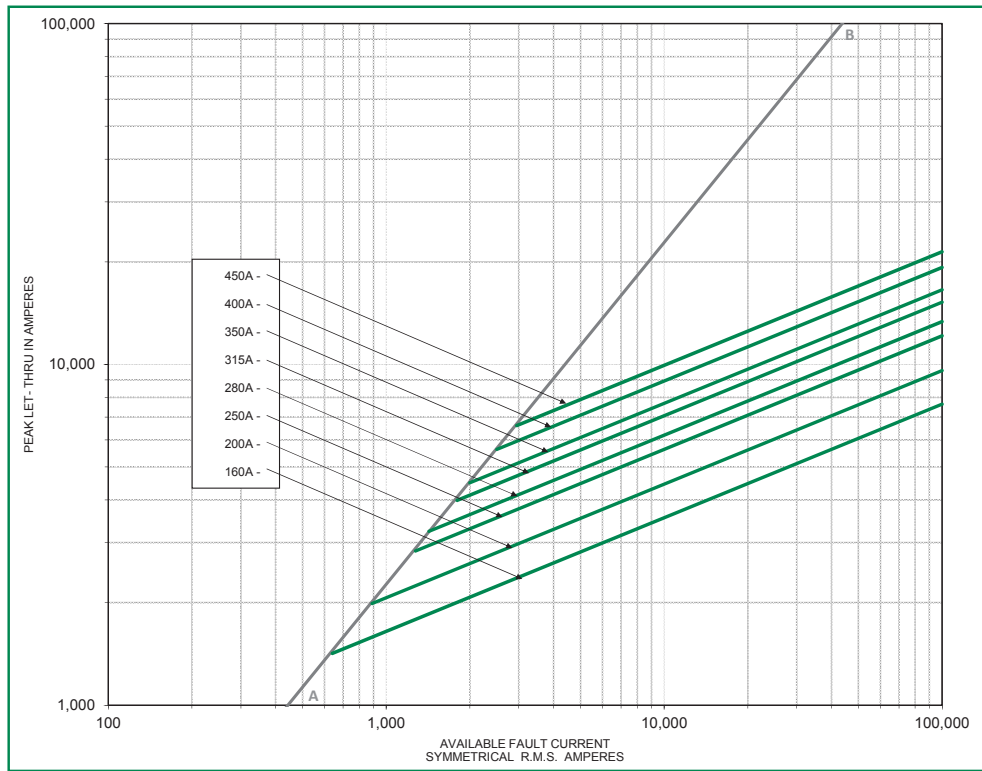


## Peak Let-Thru Curve (33 Case Size)

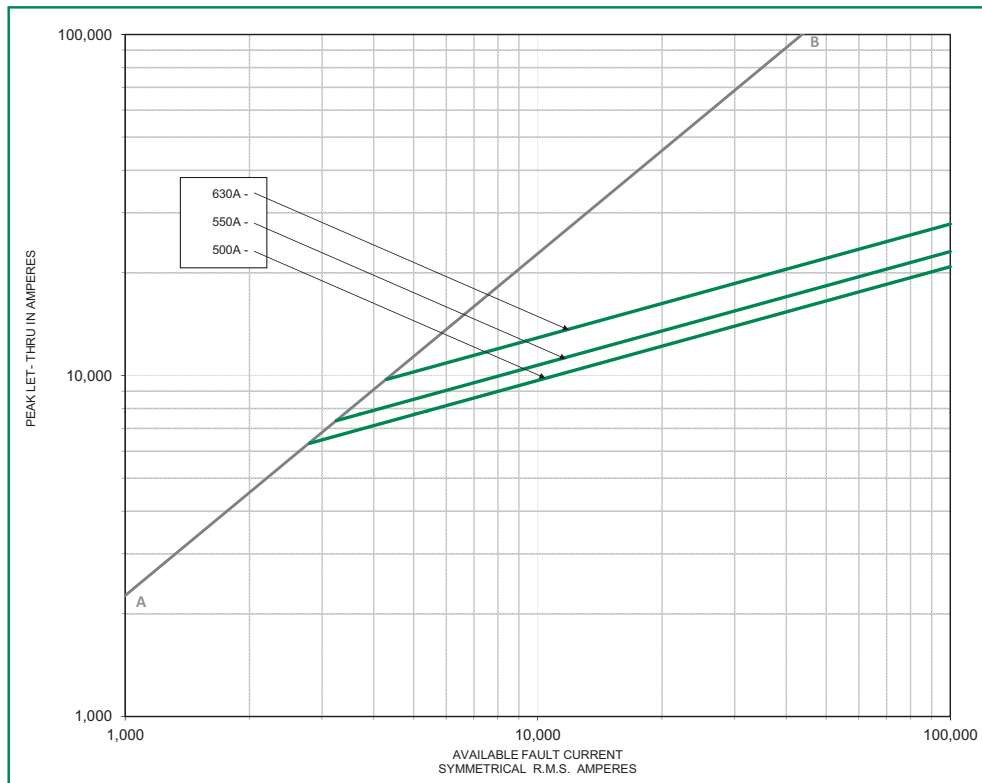


# PSR SERIES HIGH-SPEED SQUARE BODY FUSES

## Peak Let-Thru Curve (71 Case Size)

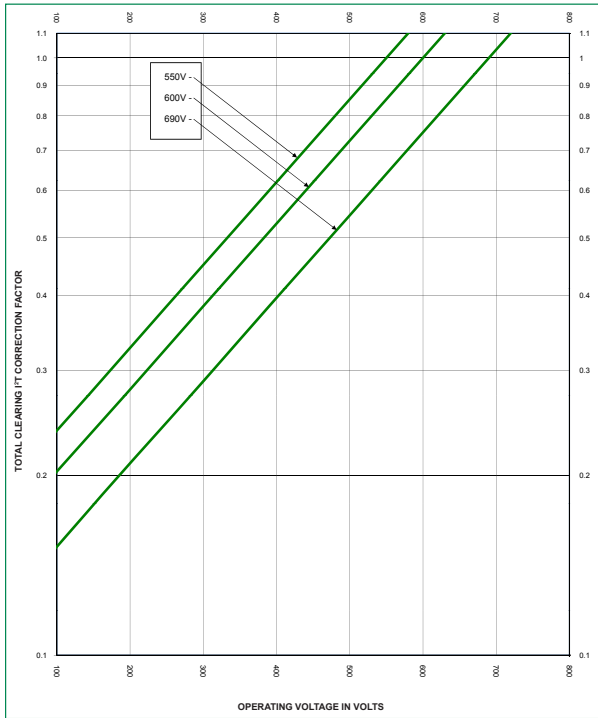


## Peak Let-Thru Curve (72 Case Size)

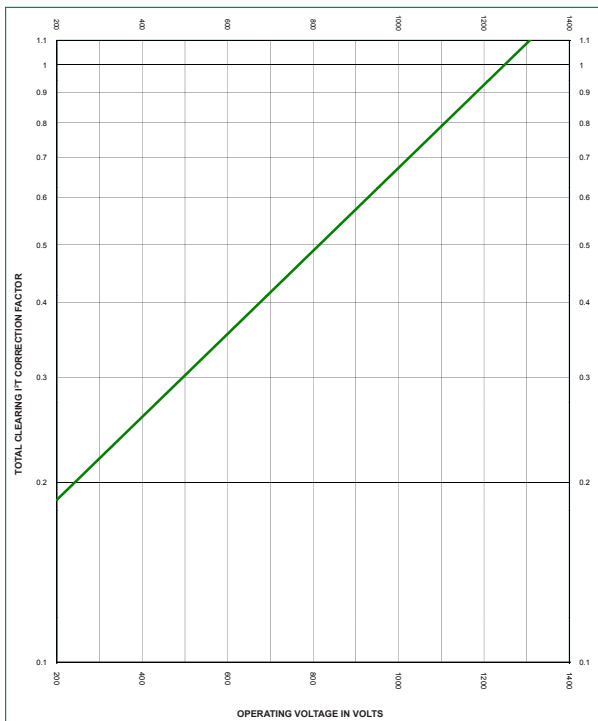


# PSR SERIES HIGH-SPEED SQUARE BODY FUSES

## Total Clearing I<sup>2</sup>t Correction Factor Curve Case Size (30, 31, 32 and 33)



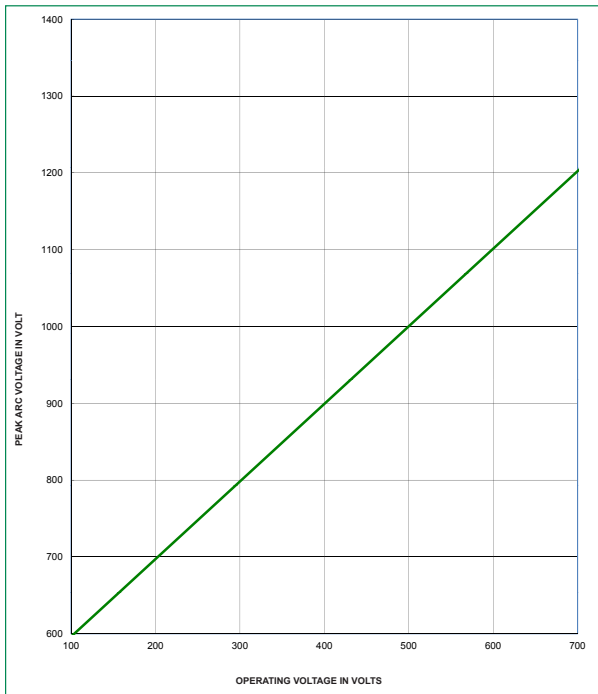
## Total Clearing I<sup>2</sup>t Correction Factor Curve Case Size (71 and 72)



# PSR SERIES HIGH-SPEED SQUARE BODY FUSES

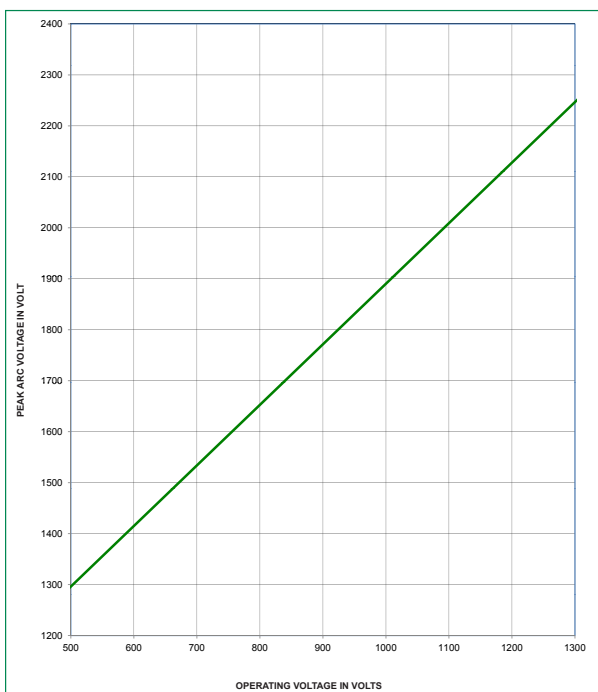
## Peak Arc Voltage Curve

Case Size (30, 31, 32 and 33)



## Peak Arc Voltage Curve

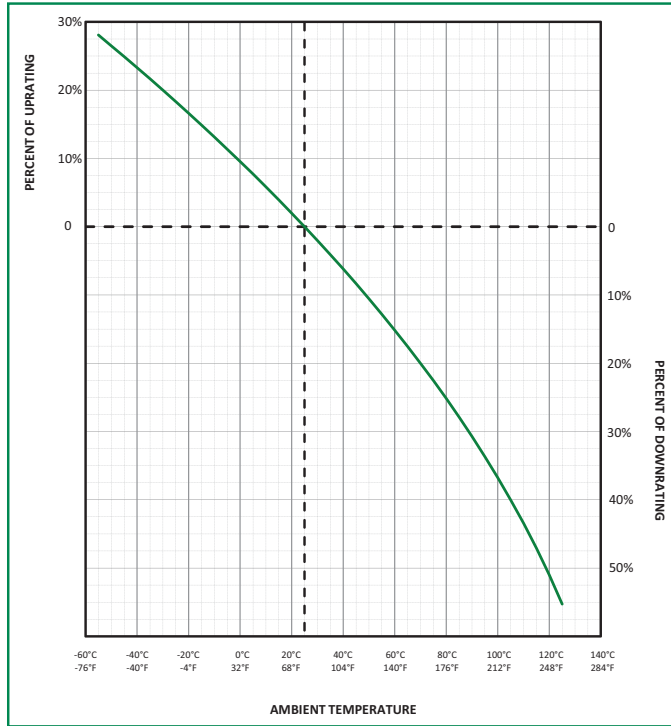
Case Size (71 and 72)



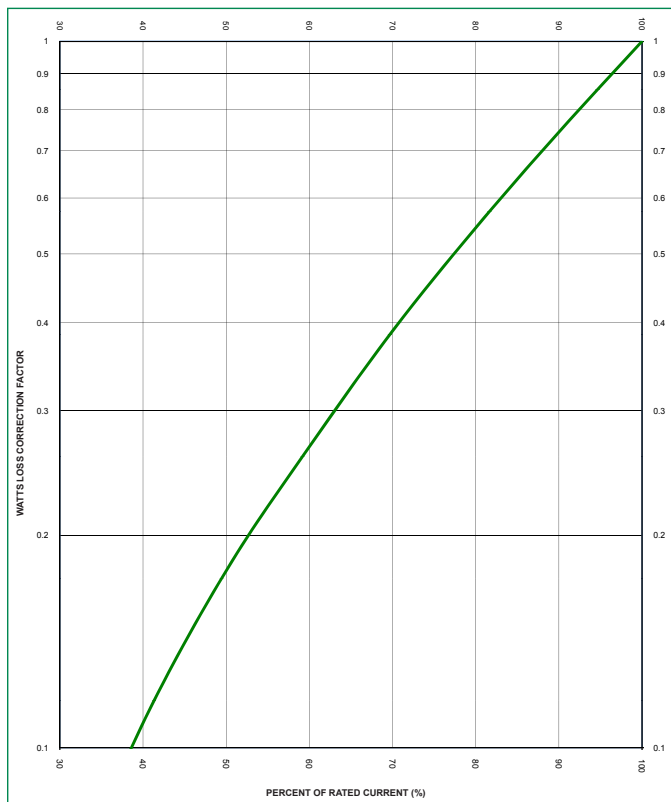


# PSR SERIES HIGH-SPEED SQUARE BODY FUSES

## Temperature Derating Curve (Temperature of Air Immediately Surrounding Fuse)



## Watts Loss Correction Factor Curve



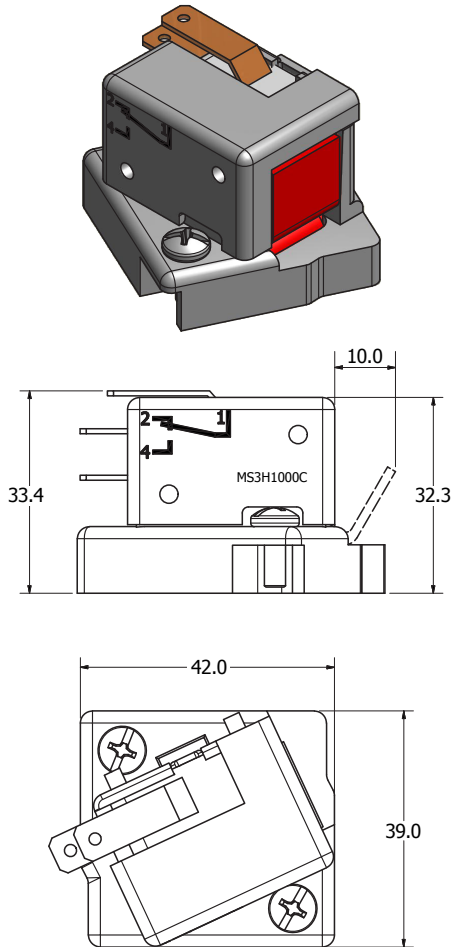
# PSR SERIES HIGH-SPEED SQUARE BODY FUSES

## Microswitch

[Dimensions in millimeters]

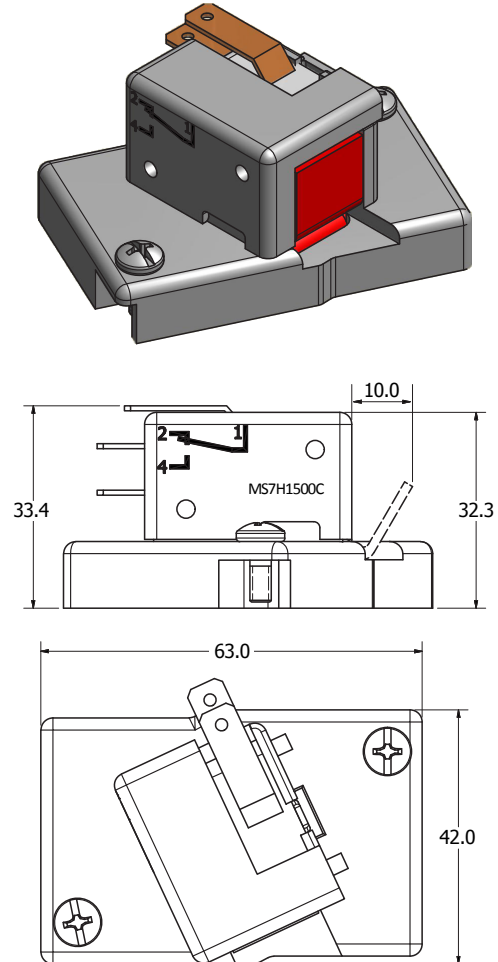
### MS3H1000C

Document Number: OL-MS3H1000C Rev. B



### MS7H1500C

Document Number: OL-MS7H1500C Rev. B



## Electrical Characteristics

CATALOG NUMBER/ ORDERING NUMBER	INDICATING STYLE	INSULATION VOLTAGE RATING (VAC)	FUSE CASE SIZE	POSITIVE OPERATING MIN VOLTAGE / MIN CURRENT	INTERRUPTING RATING						OPERATING TEMP.	RELATIVE HUMIDITY	PACK QUANTITY	
					CURRENT	NON-INDUCTIVE LOAD			INDUCTIVE LOAD (DC L/R=25ms)					
						30V	110V	250V	30V	110V				250V
MS3H1000C*	Standard NO-NC	1000	30, 31, 32, 33	4V / 1mA	AC (50/60 Hz)	5A	5A	5A	5A	5A	4A	-60°C to +125° C	95%	3 Pcs/Bag
					DC	5A	0.6A	0.3A	3A	0.2A	0.1A			
MS7H1500C*	Standard NO-NC	1500	70, 71, 72, 73		AC (50/60 Hz)	5A	5A	5A	5A	5A	4A	-60°C to +125° C	95%	3 Pcs/Bag
					DC	5A	0.6A	0.3A	3A	0.2A	0.1A			

\* Contains internal microswitch (Part Number: U83161.8), listed under UL File: E42016.

**Disclaimer Notice** - Littelfuse products are not designed for, and shall not be used for, any purpose (including, without limitation, automotive, military, aerospace, medical, life-saving, life-sustaining or nuclear facility applications, devices intended for surgical implant into the body, or any other application in which the failure or lack of desired operation of the product may result in personal injury, death, or property damage) other than those expressly set forth in applicable Littelfuse product documentation. Warranties granted by Littelfuse shall be deemed void for products used for any purpose not expressly set forth in applicable Littelfuse documentation. Littelfuse shall not be liable for any claims or damages arising out of products used in applications not expressly intended by Littelfuse as set forth in applicable Littelfuse documentation. The sale and use of Littelfuse products is subject to Littelfuse Terms and Conditions of Sale, unless otherwise agreed by Littelfuse.

[Littelfuse.com/Product-Disclaimer](http://Littelfuse.com/Product-Disclaimer)