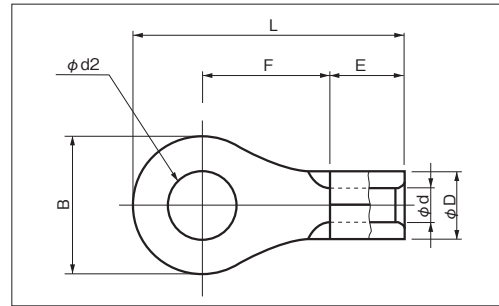


RING TERMINALS (R TYPE)

JIS C 2805



A



PART NUMBER	DIMENSIONS mm							WIRE RANGE			TOOL No.		STD QTY/BOX										
	phi d2	B	L	F	E	phi D	phi d	SOLID mm	STRANDED mm ²	AWG	HAND TOOL No. TOOL BODY No. DIES No.												
R 0.3-2 ○	2.2	5.2	12.0	4.9	4.5	2.2	1.0	-	0.2~0.5	24-20	NH 60 NH 69	1,000 (100×10)											
R 0.3-3 ○	3.2		12.0	4.9																			
R 0.3-3N ○			14.3	7.2																			
R 0.3-3.5 ○	3.7	6.6	15.0	7.2																			
R 0.3-4 ○	4.3																						
R 0.3-5 ○	5.3	8.0	15.5	7.0																			
R 0.75-3	3.2	5.6	12.0	4.7	4.5	2.5	1.4	-	0.3~0.75	22-18	NH 69 NA 10 N10 04 NA 3 N3 70	1,000 (100×10)											
R 0.75-3.5	3.7																						
R 0.75-4	4.3																						
R 1.25-2 ○	2.2	5.5	12.0	4.75									4.5	3.4	1.7	0.57 ∩ 1.44	0.25 ∩ 1.65	22-16	NH 1 NH 61 NH 69	1,000 (100×10)			
R 1.25-2S ○		5.7	11.9	4.55																			
R 1.25-3 ●	3.2	5.5	12.0	4.75																			
R 1.25-3N ○		5.6	14.9	7.6																			
R 1.25-3S ○		5.7	11.9	4.55																			
R 1.25-3.5N ○	3.7	5.6	14.9	7.6																			
R 1.25-3.5S ○		5.7	11.9	4.55																			
R 1.25-3.5 ●		6.6	13.3	5.5																			
R 1.25-3.5M ○		6.8	13.9	6.0																			
R 1.25-3.5L ○		8.0	15.6	7.1																			
R 1.25-4S	4.3	6.6	13.3	5.5																			
R 1.25-4M ○		6.8	13.9	6.0																			
R 1.25-4 ●	5.3	8.0	15.6	7.1																			
R 1.25-5 ●		6.4	12.0	20.2	9.7																		
R 1.25-6 ○																							
R 1.25-8 ○	8.4	16.5	25.0	12.25	4.5	4.2	2.3	1.14 ∩ 1.82	1.04 ∩ 2.63	16-14	NH 1 NH 9 NH 61 NH 69	1,000 (100×10)											
R 1.25-10 ○	10.5																						
R 2-2 ○	2.2																				6.5	12.7	4.95
R 2-3N ○	3.2																				5.6	14.9	7.6
R 2-3S ○																					5.7	12.3	4.95
R 2-3 ○													6.5	12.7	4.95								
R 2-3.5N ○	3.7												5.6	14.9	7.6								
R 2-3.5NS ○													6.5	12.7	4.95								
R 2-3.5 ●													6.6	14.4	6.6								
R 2-3.5S ○													6.6	15.4	7.6								
R 2-3.5M ○		8.0	16.0	7.5																			
R 2-4S ○	4.3	6.6	14.4	6.6																			
R 2-4M ○		8.0	16.0	7.5																			
R 2-4 ●	5.3	8.5	16.5	7.75																			
R 2-5M ○		8.0	16.0	7.5																			
R 2-5 ●		9.5	17.0	7.75																			
R 2-5L	6.4	12.0	21.5	11.0																			
R 2-6 ●		8.4	12.0	21.5	11.0																		
R 2-8 ●																							
R 2-10 ○	10.5	15.0	24.5	12.5	4.5	4.2	2.3	1.14 ∩ 1.82	1.04 ∩ 2.63	16-14	NH 1 NH 9 NH 61 NH 69	1,000 (100×10)											
R 2-12 ○	13.0	19.0	28.5	14.5																			

NOTE 1) ● : JIS, UL, CSA ○ : UL, CSA
 2) Refer to page 12 for UL/ CSA and proper strip length of wire.