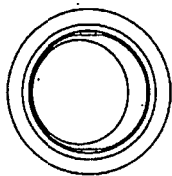
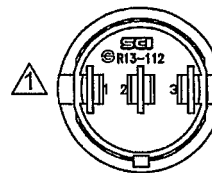
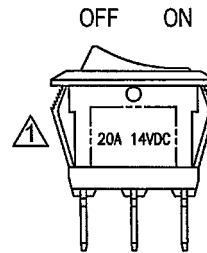
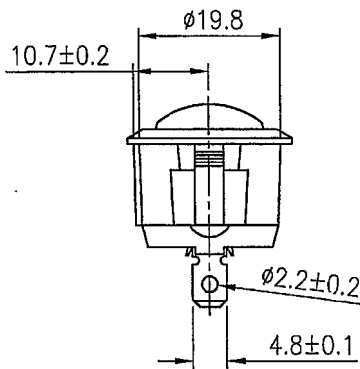
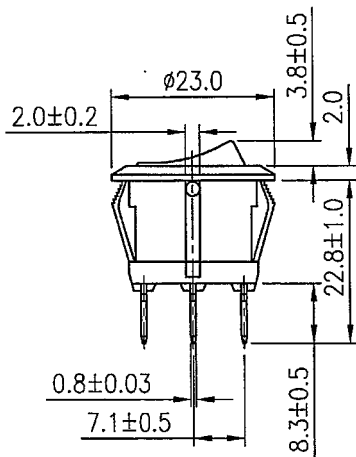
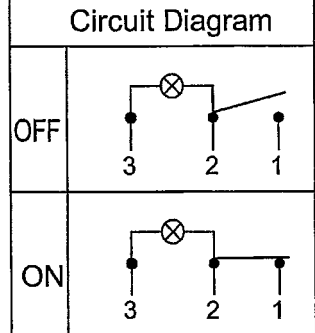


Rating	20A 14VDC	Mounting Hole	
Contact Resistance	50m ohm Max.		
Insulation Resistance	DC 500V 100M ohm Min.		
Dielectric Strength	AC 1500V 1 minute		
Operation Temperature	-25°C~85°C	Thickness:2.0~3.0	Thickness:0.7~3.0
Switch Function	3P SPST ON-OFF (Bulb dependent)		



Material:
 Frame: Black, Nylon#66
 Actuator: Yellow, PC
 Printed: None



1 - Tolerances ±0.3 Unless Otherwise Specified

03/17/17	曾敏捷	依現況增加 SCI Logo與更新本體刻字		△
Date	Name	Description		No.
Drawn	Checked	Approved	SCI BOM No. 1820876	Model Name ROCKER SWITCH
曾敏捷	<i>曾敏捷</i>	<i>Simon</i>	Customer No. 7500037	Model No. R13-112B-02
03/17/17	3/23-17	3/23-17	Unit mm	Rev. 1
Shin Chin Industrial Co., Ltd.				