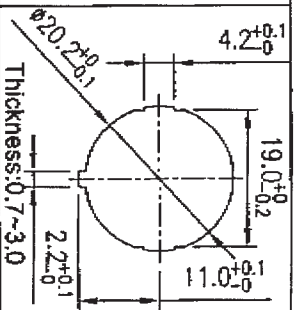
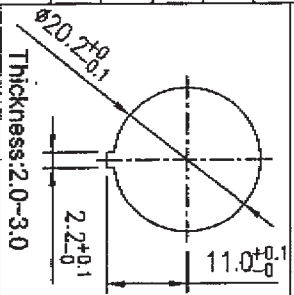
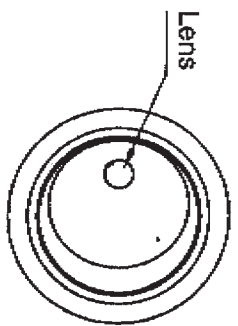
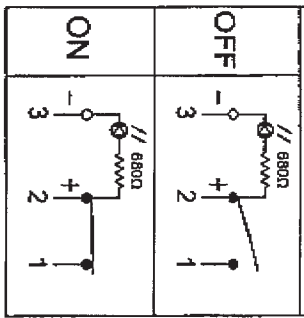


Rating	20A 14VDC
Contact Resistance	50m ohm Max.
Insulation Resistance	DC 500V 100M ohm Min.
Dielectric Strength	AC 1500V 1 minute
Operation Temperature	-25°C-85°C
Switch Function	3P SPST ON-OFF (LED dependent)

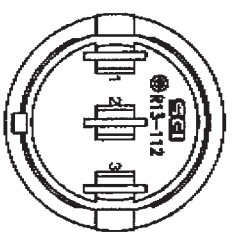
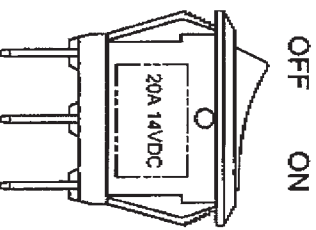
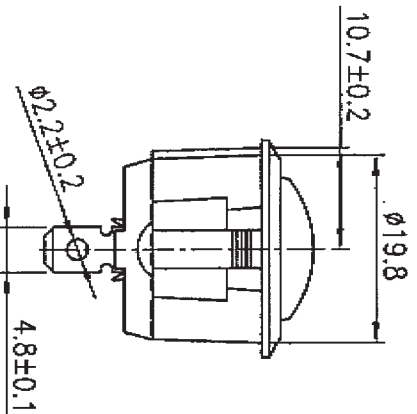
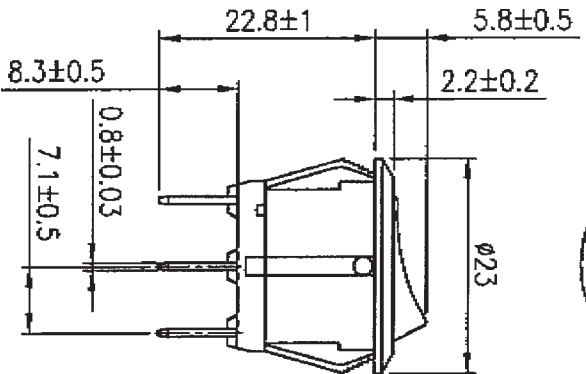
Mounting Hole



Circuit Diagram



Material:
 Frame: Black, Nylon#66
 Actuator: Black, Nylon#66
 Lens: Orange clear, PC
 Printed: None



Tolerances ±0.3 Unless Otherwise Specified

Date	Name	Description		No.		
Drawn	Checked	Approved	SCI BOM No.	1821328	Model Name	ROCKER SWITCH
何 珮	何 本 强	Shen	Customer No.		Model No.	R13-112B2-02
07/09/15	8/3-15	8/10-15	Unit	mm	Shin Chin Industrial Co., Ltd.	
					Rev.	0