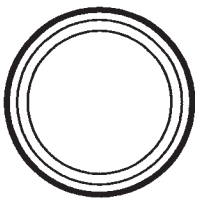
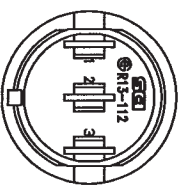
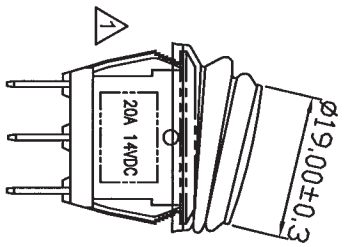
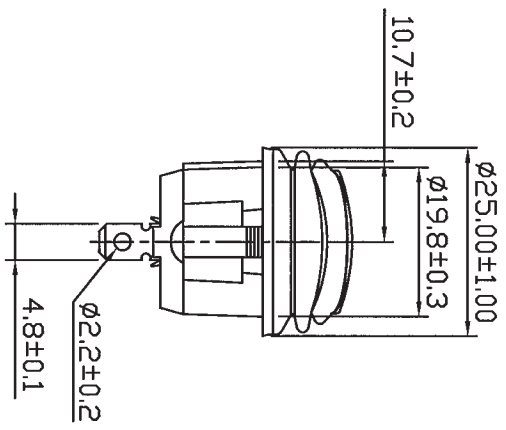
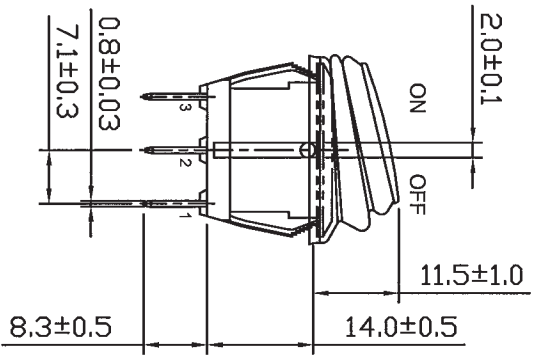
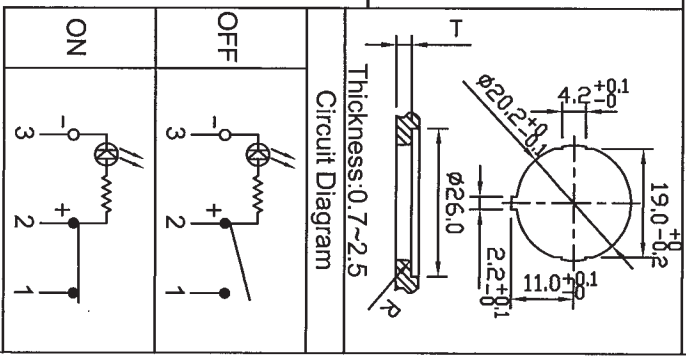


Rating	20A 14VDC	Mounting Hole	
Contact Resistance	50m ohm Max.		
Insulation Resistance	DC 500V 100M ohm Min.		
Dielectric Strength	AC 1500V 1 minute		
Operation Temperature	-25°~85°		
Switch Function	3P SPST ON-OFF (LED dependent)		



\*MATERIAL:  
 Frame: Black, Nylon 66 (94-V2)  
 Actuator: Amber clear, PC (94-V2)  
 Waterproof rubber: Silicone  
 Terminals: Silver plated, Copper alloy  
 Hot Stamping: None  
 Waterproof: IP65  
 LED color: Amber



C8R13/R13-112B8-02(1823903)\_1

08/27/14	曹盈芳	增加SCI Logo和更新安規					
Date	Name	Description					
Drawn	Checked	Approved	SCI BOM NO.	1823903	Model Name	ROCKER SWITCH	
曹盈芳		王偉山	Customer No.		Model No.	R13-112B8-02	Rev.
08/27/14		8/27/14	Unit	mm	Shin Chin Industrial Co., Ltd.		1