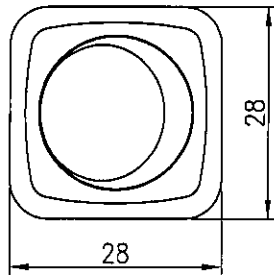
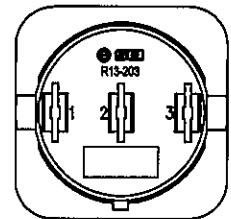
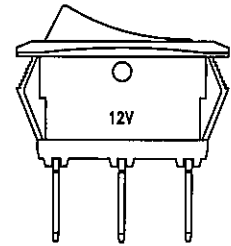
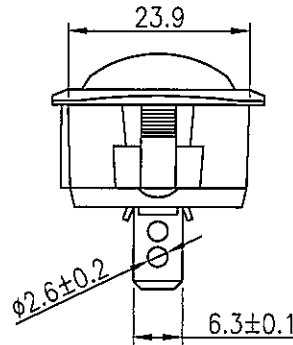
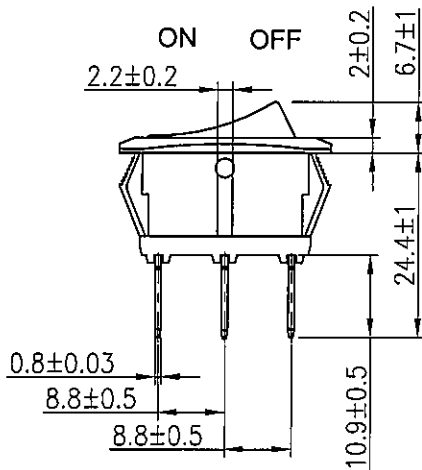


Rating	25A 12V DC		
Contact Resistance	50m ohm Max.		
Insulation Resistance	DC 500V 100M ohm Min.		
Dielectric Strength	AC 1500V 1 minute		
Operation Temperature	-20°C ~ 65°C		
Switch Function	3P SPST ON-OFF(Bulb dependnet)		



Material:
 Frame: Black · Nylon 66
 Actuator: Green Clean · PC
 Printed: None



Tolerances ±0.3mm Unless Otherwise Specified

						△	
						△	
Date	Name	Description				No.	
Drawn	Checked	Approved	SCI BOM No	1821009	Model Name	ROCKER SWITCH	
曹盈芳		<i>[Signature]</i>	Customer No		Model No.	R13-203B-01	Rev.
07/27/17		<i>[Signature]</i>	Unit	mm	Shin Chin Industrial Co., Ltd.		0