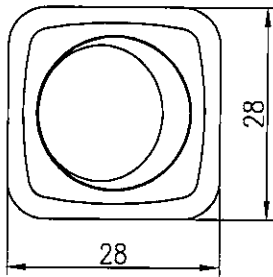
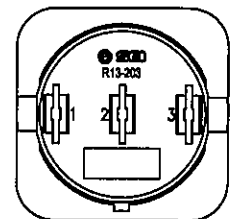
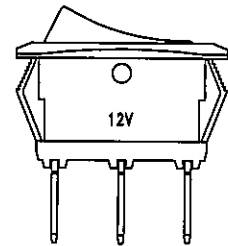
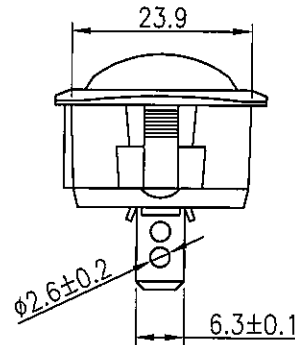
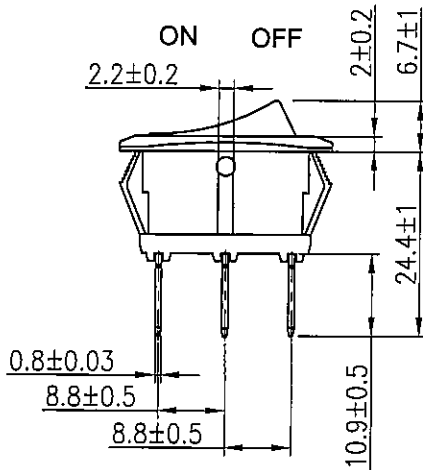


Rating	25A 12V DC		
Contact Resistance	50m ohm Max.		
Insulation Resistance	DC 500V 100M ohm Min.		
Dielectric Strength	AC 1500V 1 minute		
Operation Temperature	-20°C ~ 65°C		
Switch Function	3P SPST ON-OFF(Bulb dependnet)		



Material:
 Frame: Black · Nylon 66
 Actuator: Red Clean · PC
 Printed: None



Tolerances ±0.3mm Unless Otherwise Specified

								△
								△
Date	Name	Description					No.	
Drawn	Checked	Approved	SCI BOM No.	1821007	Model Name	ROCKER SWITCH		
曹盈芳		王作山	Customer No.		Model No.	R13-203B-01	Rev.	
07/27/17		2/27/17	Unit	mm	Shin Chin Industrial Co., Ltd.			0