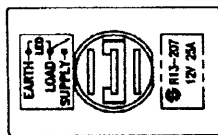
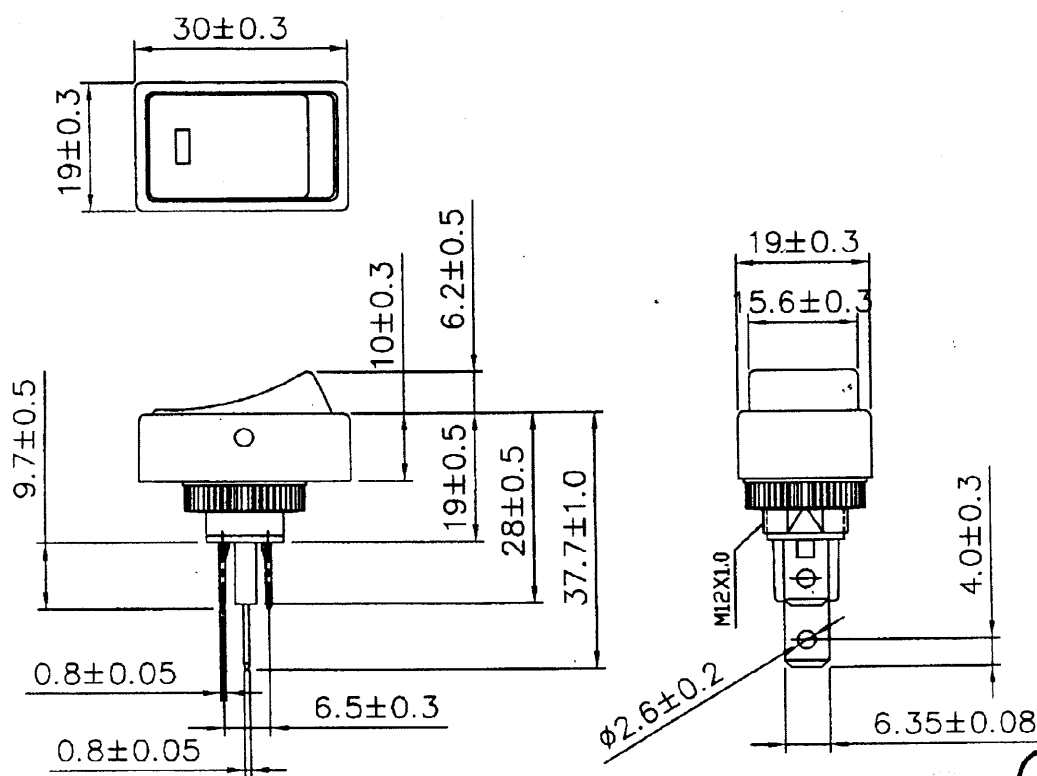


Rating	12VDC 25A		
Contact R	50m ohm Max.		
Insulation R	DC 500V 100M ohm Min.		
Dielectric Strength	AC 1500V 1 minute		
Circuit	3P SPST ON-OFF (LED)		



原稿

適用1821806,1823444,1823565,1823446
1821807,1823445,1821808,1822625

△	Date	Name	Descriptions			
Drawing	Check	Approval	SCI No.	Model Name		
徐洲迎	7/14/06	DZL	Customer No.	Model No.	R13-207L	
5/27/06	6/2/06	4506	Unit	SHIN CHIN INDUSTRIAL CO., LTD.		