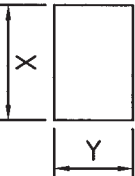
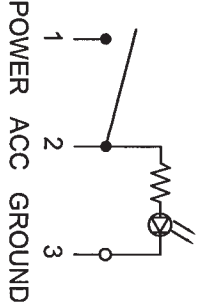
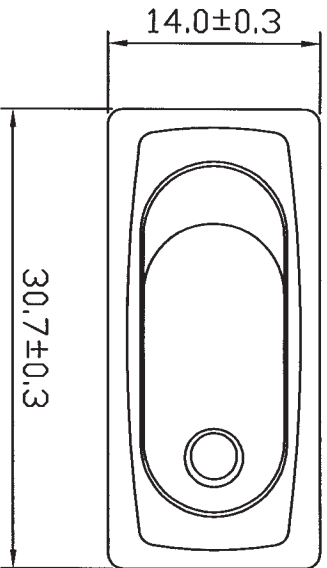
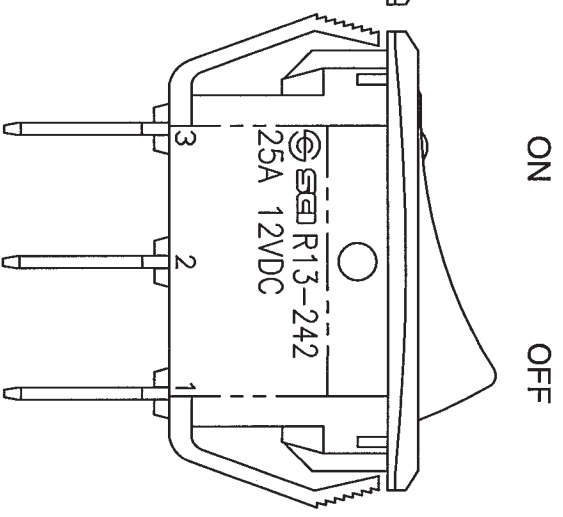
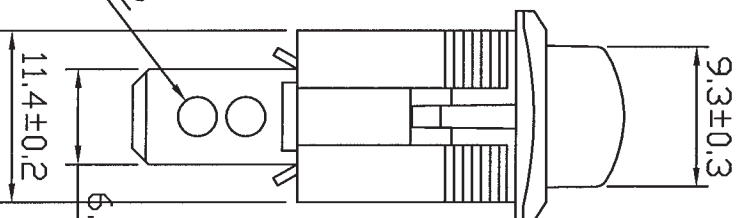
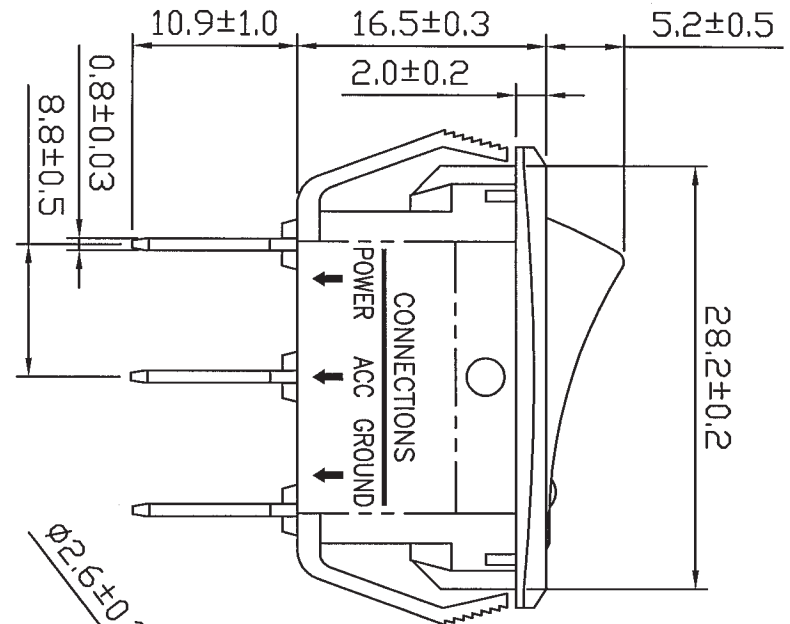


Rating	25A 12VDC	Mounting Hole	Circuit Diagram												
Contact Resistance	50m ohm Max.														
Insulation Resistance	DC 500V 100M ohm Min.														
Dielectric Strength	AC 1500V 1 minute														
Switch Function	3P SPST ON-OFF (LED dependent)														
Operation Force	450g±200g														
		<table border="1"> <thead> <tr> <th>Thickness</th> <th>X</th> <th>Y</th> </tr> </thead> <tbody> <tr> <td>0.75...2.0</td> <td>28.5+0.1</td> <td>11.6+0.1</td> </tr> <tr> <td>2.0...3.0</td> <td>28.7+0.1</td> <td>11.6+0.1</td> </tr> <tr> <td>3.0...4.0</td> <td>29.0+0.1</td> <td>11.6+0.1</td> </tr> </tbody> </table>	Thickness	X	Y	0.75...2.0	28.5+0.1	11.6+0.1	2.0...3.0	28.7+0.1	11.6+0.1	3.0...4.0	29.0+0.1	11.6+0.1	
Thickness	X	Y													
0.75...2.0	28.5+0.1	11.6+0.1													
2.0...3.0	28.7+0.1	11.6+0.1													
3.0...4.0	29.0+0.1	11.6+0.1													



Material:  
 Frame: Black, Nylon#66  
 Actuator: Black, Nylon#66  
 LED: Green  
 Printed: None



C81R13/R13-242L-01(1822500)

Date	Name	Description				NO
Drawn	Checked	Approved	SCI BOM NO	Model Name	ROCKER SWITCH	
曹盈芳			1822506	Model No.	R13-242L-01	Rev. 0
10/30/13		10/30/13	Unit	mm	Shin Chin Industrial Co., Ltd.	