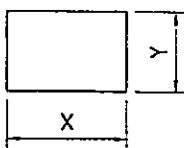
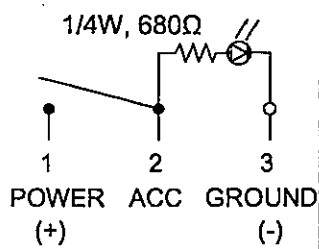
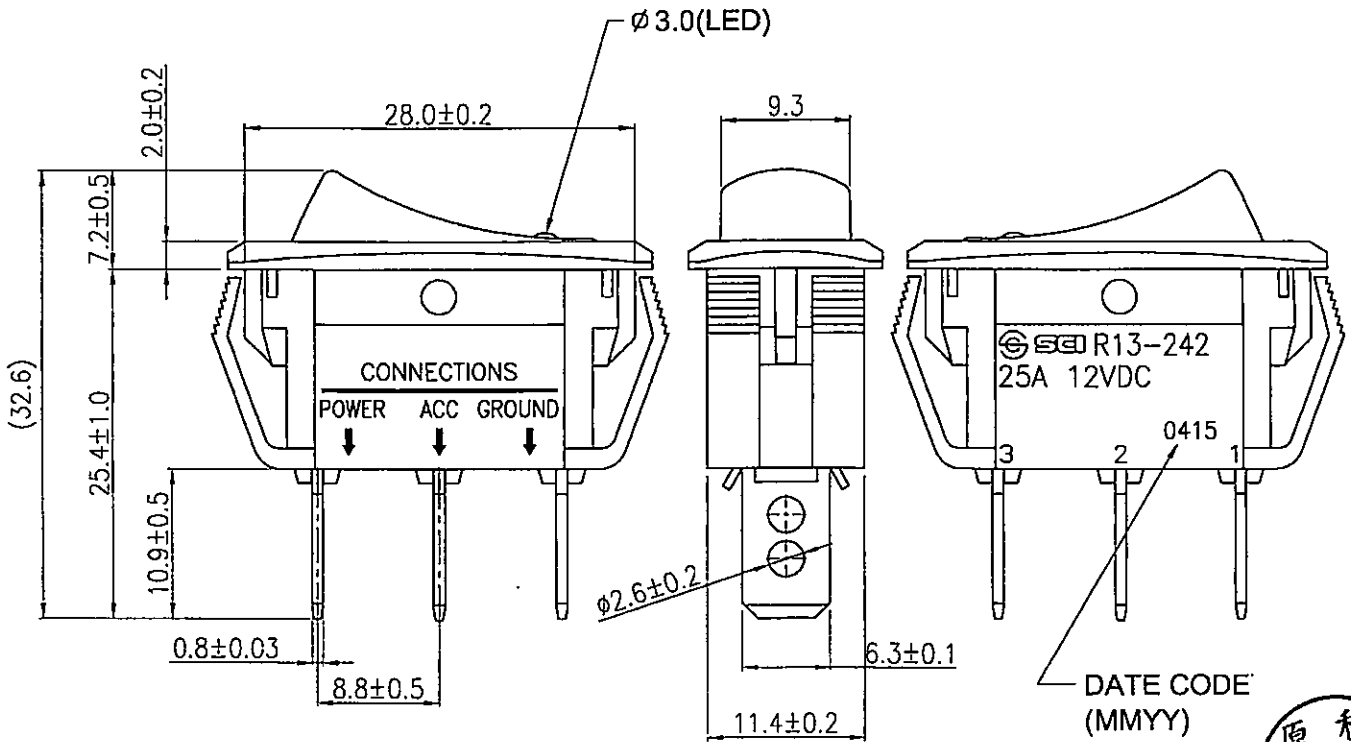
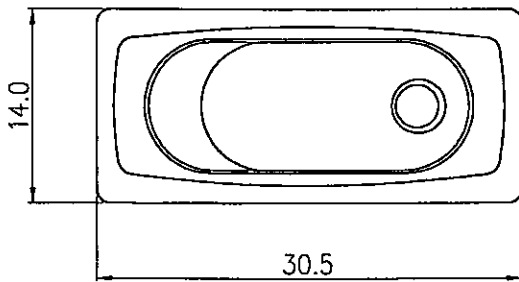


Rating	25A 12VDC													
Contact Resistance	50m ohm Max.													
Insulation Resistance	DC 500V 100M ohm Min.													
Dielectric Strength	AC 1500V 1 minute													
Switch Function	3P SPST ON-OFF (LED dependent)													
Operation Force	450g±200g	<table border="1"> <tr> <th>Thickness</th> <th>X</th> <th>Y</th> </tr> <tr> <td>0.75...2.0</td> <td>28.5+0.1</td> <td>11.6+0.1</td> </tr> <tr> <td>2.0...3.0</td> <td>28.7+0.1</td> <td>11.6+0.1</td> </tr> <tr> <td>3.0...4.0</td> <td>29.0+0.1</td> <td>11.6+0.1</td> </tr> </table>	Thickness	X	Y	0.75...2.0	28.5+0.1	11.6+0.1	2.0...3.0	28.7+0.1	11.6+0.1	3.0...4.0	29.0+0.1	11.6+0.1
Thickness	X	Y												
0.75...2.0	28.5+0.1	11.6+0.1												
2.0...3.0	28.7+0.1	11.6+0.1												
3.0...4.0	29.0+0.1	11.6+0.1												

Material:  
 Frame: Black, Nylon#66  
 Actuator: Black, Nylon#66  
 LED: Red  
 Printed: None



DATE CODE (MMYY)



Tolerances ±0.3 Unless Otherwise Specified

4/21/15	周傑輝	依實物增加日期					⚠
Date	Name	Description					No.
Drawn	Checked	Approved	SCI BOM No	1822500	Model Name	ROCKER SWITCH	
周傑輝	<i>Signature</i>	<i>Signature</i>	Customer No		Model No.	R13-242L-01	Rev.
4/21/15	4/23/15	4/23/15	Unit	mm	Shin Chin Industrial Co., Ltd.		1