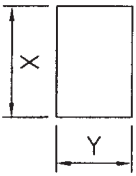
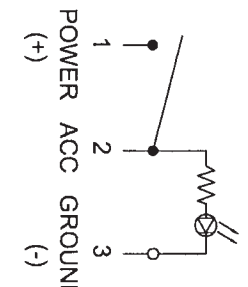
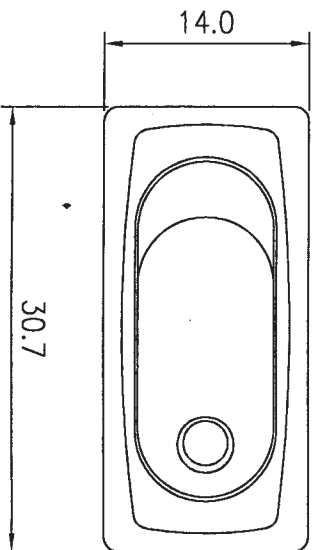
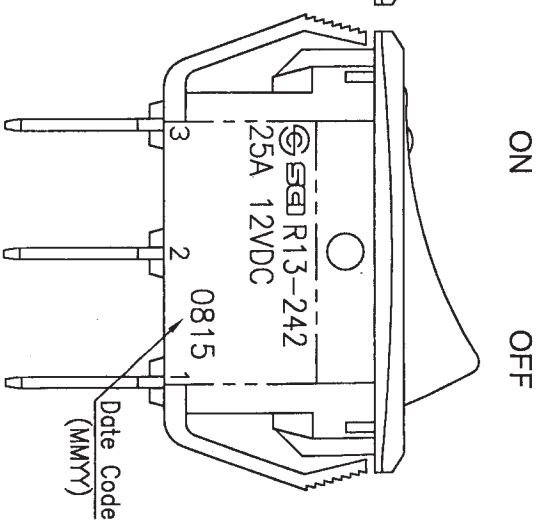
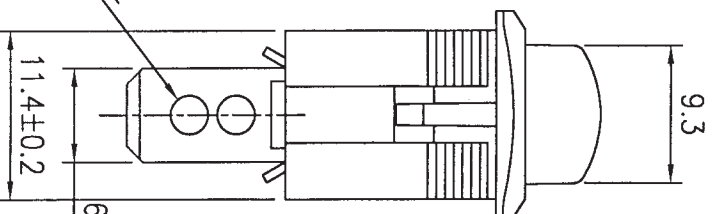
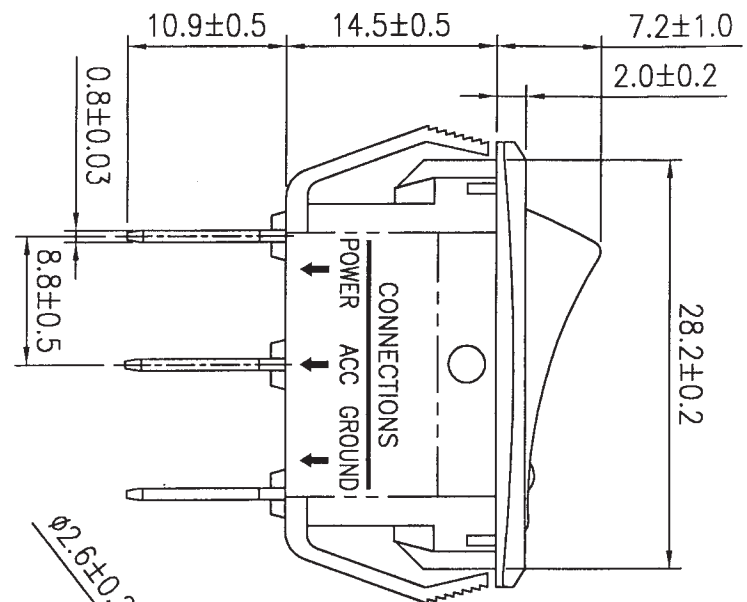


Rating	25A 12VDC	Mounting Hole	Circuit Diagram
Contact Resistance	50m ohm Max.		
Insulation Resistance	DC 500V 100M ohm Min.		
Dielectric Strength	AC 1500V 1 minute	Thickness	
Switch Function	3P SPST ON-OFF (LED dependent)	0.75...2.0	X 28.5±0.1 Y 11.6±0.1
Operation Force	450g±200g	2.0...3.0	X 28.7±0.1 Y 11.6±0.1
		3.0...4.0	X 29.0±0.1 Y 11.6±0.1



Material:
 Frame: Black, Nylon#66
 Actuator: Black, Nylon#66
 LED: Yellow
 Printed: None



Tolerances ±0.3 Unless Otherwise Specified

Date	Name	Description		NO		
Drawn	Checked	Approved	SCI BOM NO	1822505	Model Name	ROCKER SWITCH
何珮	何志輝	何志輝	Customer No.		Model No.	R13-242L-01
08/24/15	何志輝	何志輝	Unit	mm	Shin Chin Industrial Co., Ltd.	
					Rev.	0