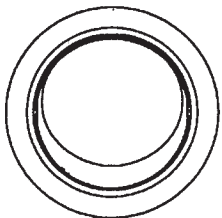
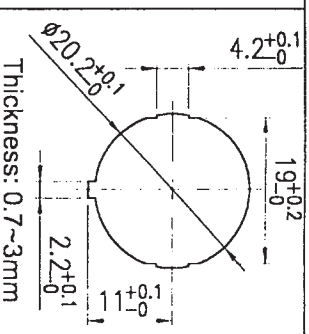
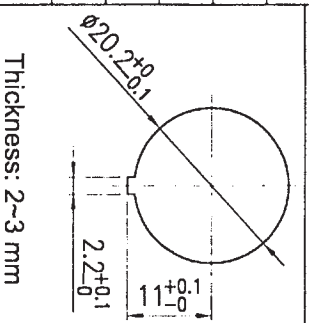
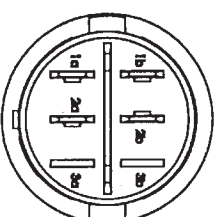
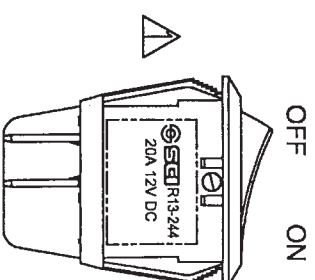
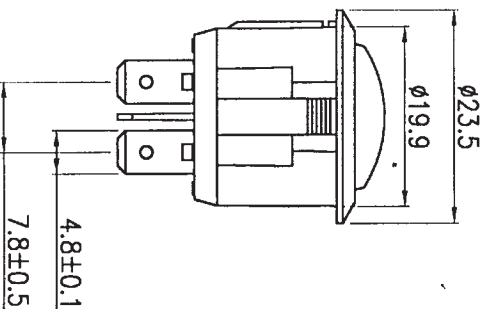
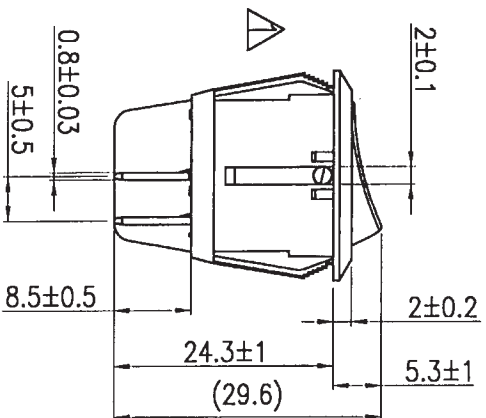
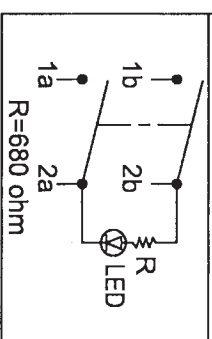


Rating	20A 12V DC
Contact Resistance	50m ohm Max
Insulation Resistance	DC 500V 100M ohm Min
Dielectric Strength	AC 1500V 1 minute
Operation Temperature	-20°C~85°C
Switch Function	4P DPST ON-OFF(LED dependent)

Mounting Hole



Material:
Frame: Black, Nylon 66
Actuator: Green, PC
Printed: None



原稿
2014.10.31
研發部

Tolerances ±0.3 Unless Otherwise Specified

10/14/14	黄洋	更新本體刻字,删除12V標籤						
Date	Name	Description		No.				
Drawn	Checked	Approved	SCI BOM No.	1823049	Model Name	ROCKER SWITCH		
黄洋	周志峰	Sincere	Customer No.		Model No.	R13-244B-02		Rev.
10/14/14	10/14-14	10/15-14	Unit	mm	Shin Chin Industrial Co., Ltd.			1