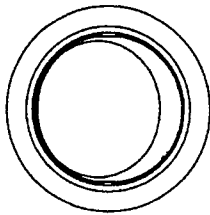
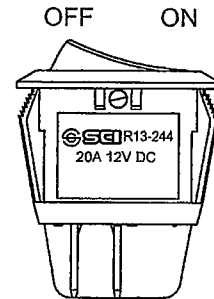
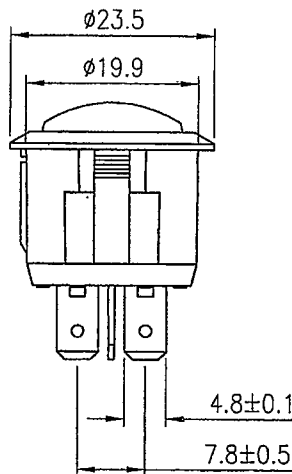
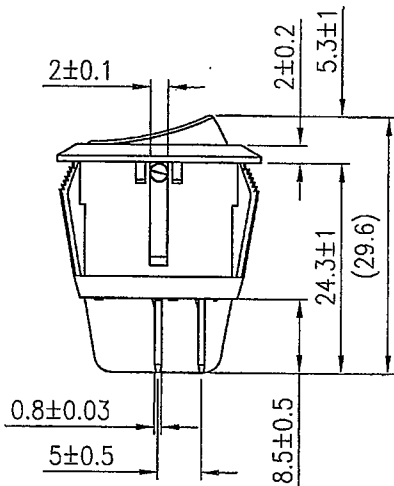
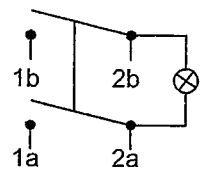


Rating	20A 12V DC	
Contact Resistance	50m ohm Max	
Insulation Resistance	DC 500V 100M ohm Min	
Dielectric Strength	AC 1500V 1 minute	
Operation Temperature	-20°C~85°C	
Switch Function	4P DPST ON-OFF(Bulb dependent)	

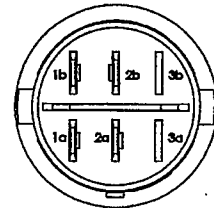


Material:
 Frame: Black, Nylon 66
 Actuator: Red, PC
 Printed: None

Circuit Diagram



原稿
 2017.7.20
 研發部



1 - Tolerances ±0.3 Unless Otherwise Specified

								△
								△
								△
Date	Name	Description					No.	
Drawn	Checked	Approved	SCI BOM No.	1823047	Model Name	ROCKER SWITCH		
曾敏捷	<i>[Signature]</i>	<i>[Signature]</i>	Customer No.		Model No.	R13-244B-02	Rev.	0
06/23/17	<i>[Signature]</i>	<i>[Signature]</i>	Unit	mm	Shin Chin Industrial Co., Ltd.			