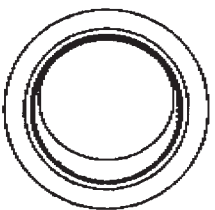
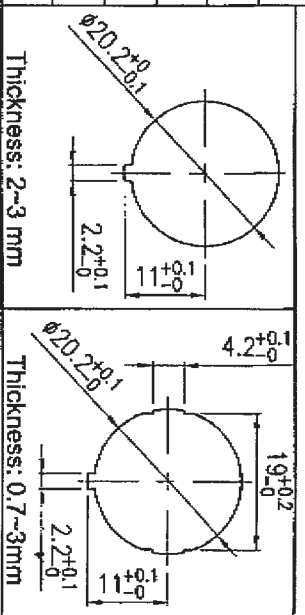
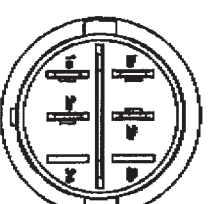
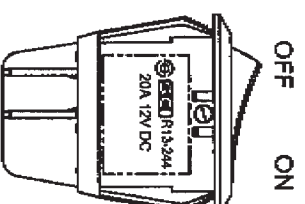
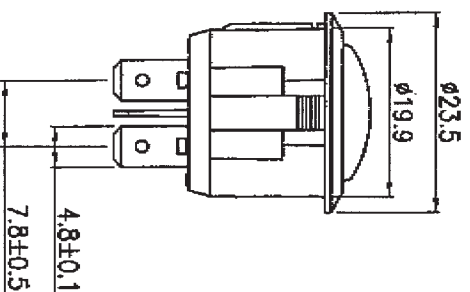
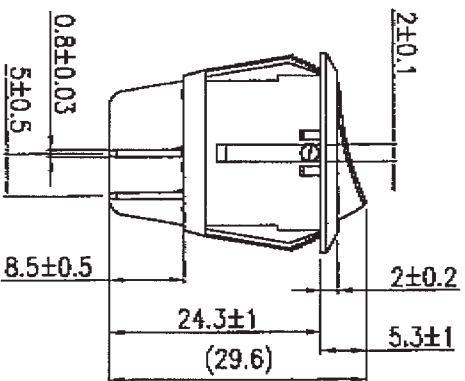
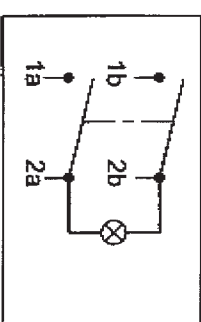


Rating	20A 12V DC
Contact Resistance	50m ohm Max
Insulation Resistance	DC 500V 100M ohm Min
Dielectric Strength	AC 1500V 1 minute
Operation Temperature	-20°C-85°C
Switch Function	4P DPST ON-OFF(Built dependently)

Mounting Hole



Material:
 Frame: Black, Nylon#66
 Actuator: Yellow, PC
 Printed: None



Tolerances ± 0.3 Unless Otherwise Specified

Date	Name	Description		No.
Drawn	Checked	Approved	SCI BOM No.	Model Name
何 珮	<i>[Signature]</i>	<i>[Signature]</i>	1823048	ROCKER SWITCH
			Customer No.	Model No.
				R13-244B-02
07/15/15	7/30-15	8/10-15	Unit	mm
				Shin Chin Industrial Co., Ltd.
				Rev. 0