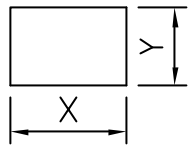
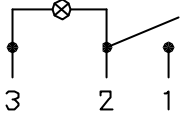
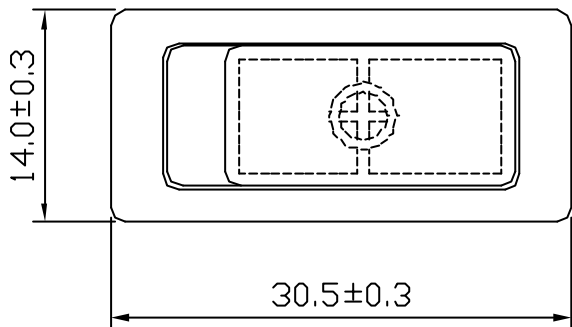
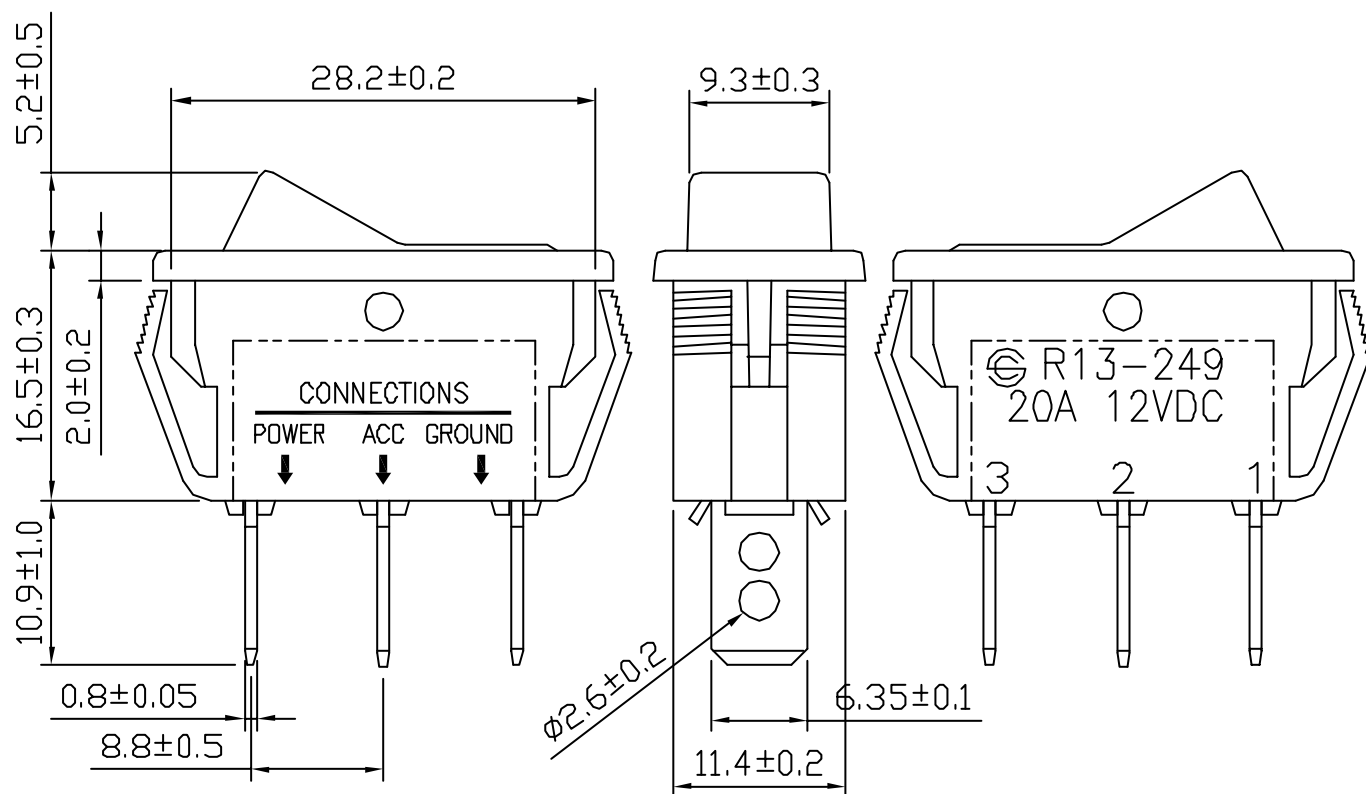


Rating	20A 12VDC													
Contact R	50m ohm Max.													
Insulation R	DC 500V 100M ohm Min.													
Dielectric Strength	AC 1500V 1 minute													
Circuit	3P SPST ON-OFF(Illuminated)													
Operating Force	450g±150g	<table border="1"> <tr> <th>Thickness</th> <th>X</th> <th>Y</th> </tr> <tr> <td>0.75...2.0</td> <td>28.5+0.1</td> <td>11.6+0.1</td> </tr> <tr> <td>2.0...3.0</td> <td>28.7+0.1</td> <td>11.6+0.1</td> </tr> <tr> <td>3.0...4.0</td> <td>29.0+0.1</td> <td>11.6+0.1</td> </tr> </table>	Thickness	X	Y	0.75...2.0	28.5+0.1	11.6+0.1	2.0...3.0	28.7+0.1	11.6+0.1	3.0...4.0	29.0+0.1	11.6+0.1
Thickness	X	Y												
0.75...2.0	28.5+0.1	11.6+0.1												
2.0...3.0	28.7+0.1	11.6+0.1												
3.0...4.0	29.0+0.1	11.6+0.1												



適用 1821729,1821714,1823627
 1821730,1823104,1822187,1823628
 1821731,1823106,1822185,1823629
 1821732,1823105,1822186,1823630



C:\PDM\R13\R13-249B-01(729~630)外圖

							△
							△
Date	Name	Descriptions					NO
Drawing	Check	Approval	SCI No.		Model Name		
徐洲迎	李元生	李景煌	Customer No.		Model No.	R13-249B-01	
06/01/'06	06/05/'06	06/06/'06	Unit	mm	SHIN CHIN INDUSTRIAL CO., LTD.		