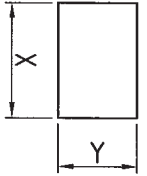
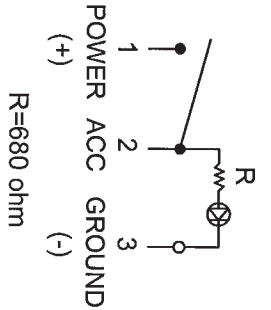
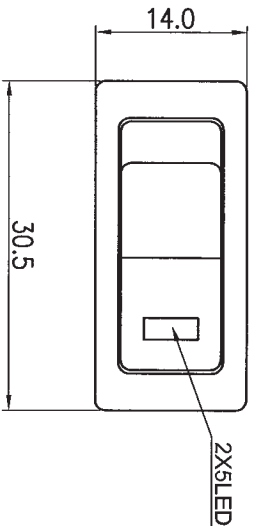
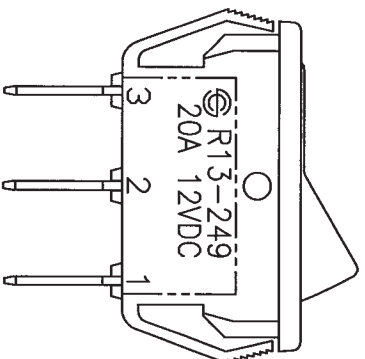
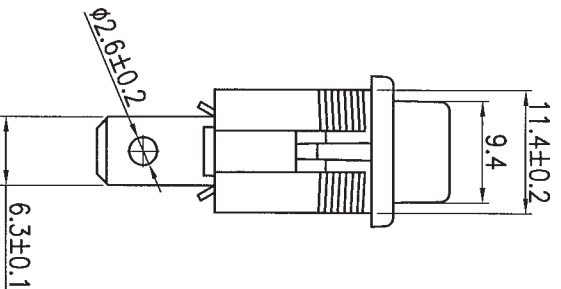
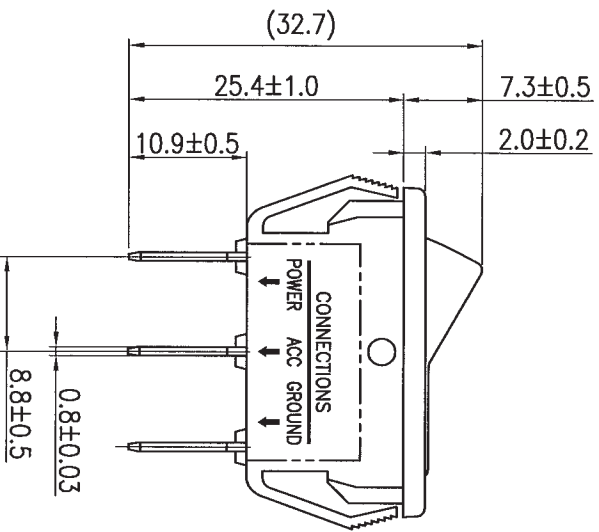


Rating	20A 12V DC	Mounting Hole 	Circuit Diagram 												
Contact Resistance	50m ohm Max.														
Insulation Resistance	DC 500V 100M ohm Min.														
Dielectric Strength	AC 1500V 1 minute														
Operating Force	450g±200g	<table border="1"> <thead> <tr> <th>Thickness</th> <th>X</th> <th>Y</th> </tr> </thead> <tbody> <tr> <td>0.75..2.0</td> <td>28.5±0.1</td> <td>11.6±0.1</td> </tr> <tr> <td>2.0..3.0</td> <td>28.7±0.1</td> <td>11.6±0.1</td> </tr> <tr> <td>3.0..4.0</td> <td>29.0±0.1</td> <td>11.6±0.1</td> </tr> </tbody> </table>	Thickness	X	Y	0.75..2.0	28.5±0.1	11.6±0.1	2.0..3.0	28.7±0.1	11.6±0.1	3.0..4.0	29.0±0.1	11.6±0.1	
Thickness	X		Y												
0.75..2.0	28.5±0.1	11.6±0.1													
2.0..3.0	28.7±0.1	11.6±0.1													
3.0..4.0	29.0±0.1	11.6±0.1													
Switch Function	3P SPST ON-OFF (LED dependent)														



Material:
 Frame: Black, Nylon 66
 Actuator: Black, Nylon 66
 LED: Green



Tolerances Unless Otherwise Specified ±0.3

Date	Name	Description		No.		
Drawn	Checked	Approved	SCI BOM No.	1822508	Model Name	ROCKER SWITCH
曹盈芳		<i>ZHAB</i>	Customer No.		Model No.	R13-249L-01
01/26/15		<i>1/26/15</i>	Unit	mm	Shin Chin Industrial Co., Ltd.	
					Rev.	0