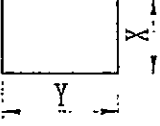
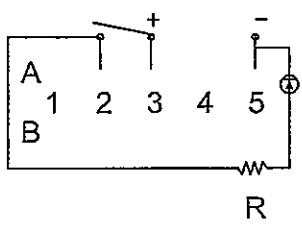
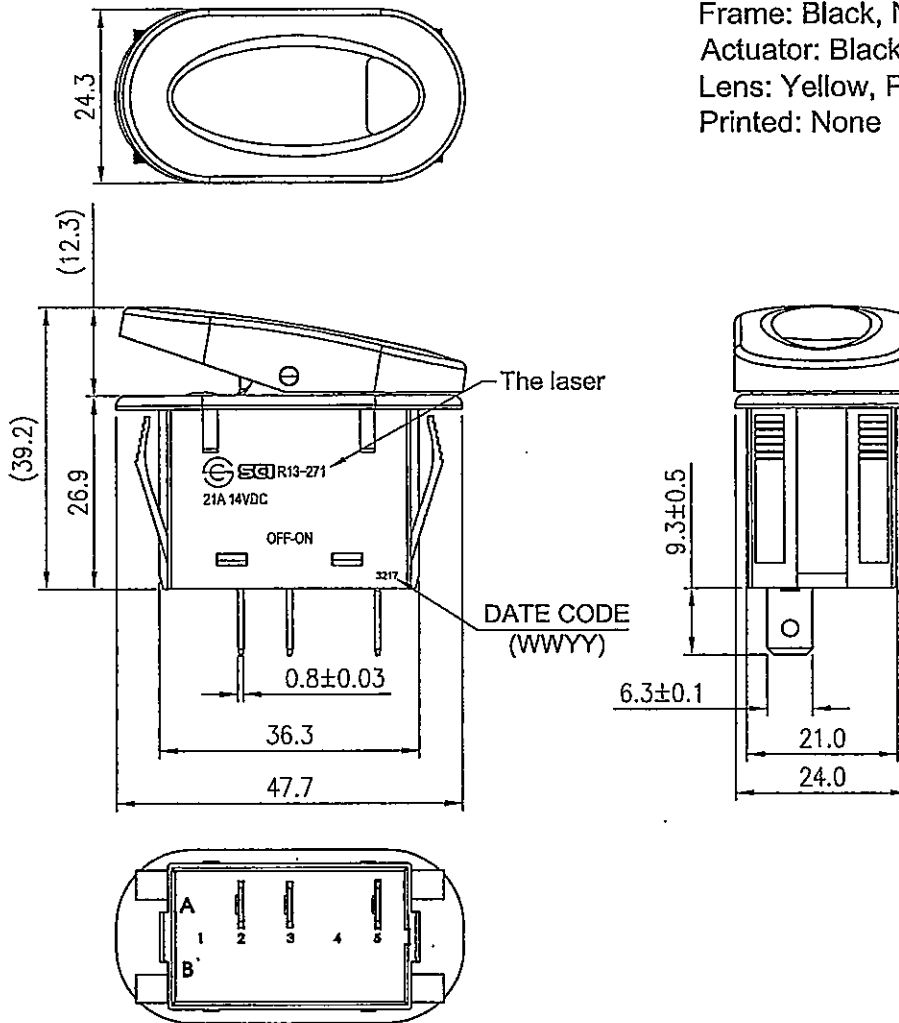


Rating	21A 14VDC	Mounting Hole 	Circuit Diagram 	
Contact Resistance	50m ohm Max.			
Insulation Resistance	DC 500V 100M ohm Min.			
Dielectric Strength	AC 1500V 1 minute			
Operation Temperature	-20°C~85°C	Thickness	X	Y
Switch Function	3P SPST OFF-ON (LED dependent)	0.75~1.25	21.2±0.1	36.6±0.1
		1.25~2	21.2±0.1	36.8±0.1
		2~3	21.2±0.1	37.0±0.1

Material:
 Frame: Black, Nylon#66
 Actuator: Black, Nylon#66+30%GF
 Lens: Yellow, PC
 Printed: None



1 - Tolerances ±0.3 Unless Otherwise Specified

								△
								△
								△
Date	Name	Description					No.	
Drawn	Checked	Approved	SCI BOM No		Model Name	ROCKER SWITCH		
會敏捷			Customer No		Model No.	R13-271A2-01-BBNY-210200-1	Rev.	X0
08/08/17	8/9-17	8/9-17	Unit	mm	Shin Chin Industrial Co., Ltd.			