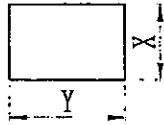
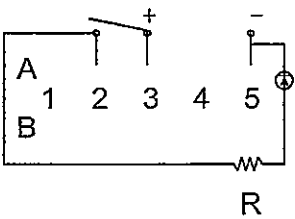
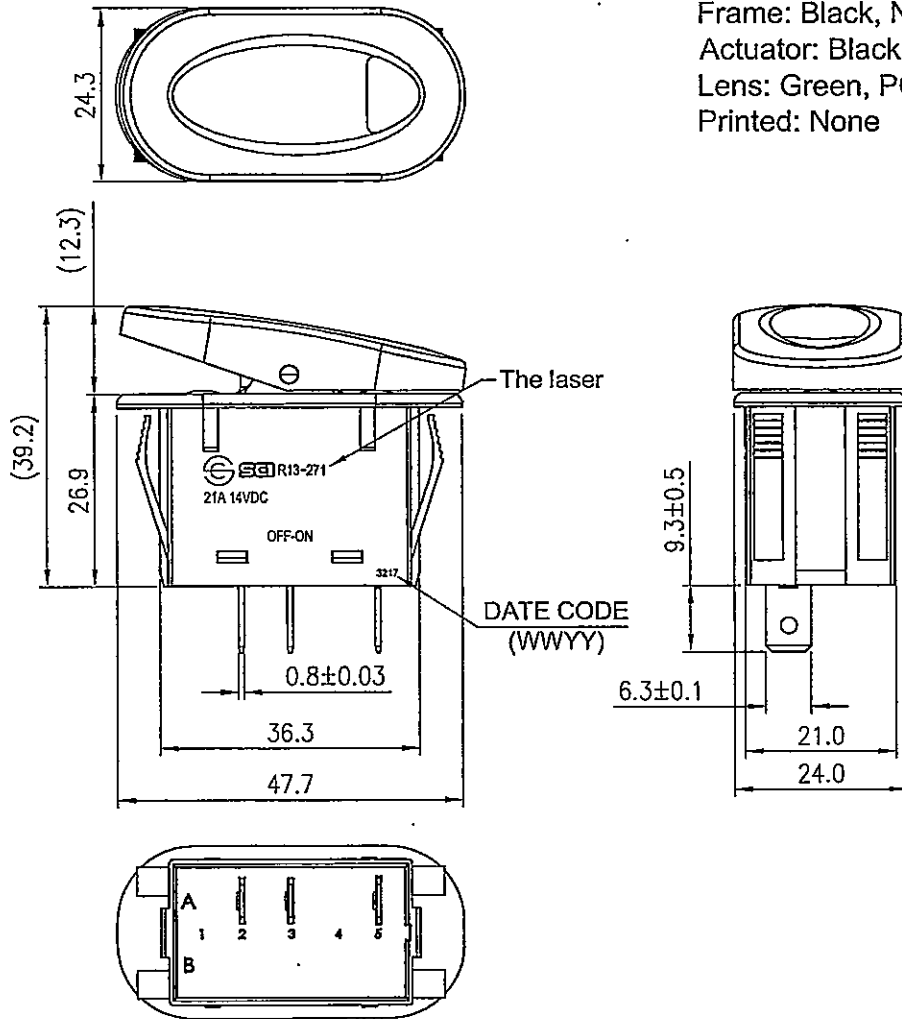


Rating	21A 14VDC	Mounting Hole	Circuit Diagram	
Contact Resistance	50m ohm Max.			
Insulation Resistance	DC 500V 100M ohm Min.			
Dielectric Strength	AC 1500V 1 minute			
Operation Temperature	-20°C~85°C			
Switch Function	3P SPST OFF-ON (LED dependent)	Thickness	X	Y
		0.75~1.25	21.2±0.1	36.6±0.1
		1.25~2	21.2±0.1	36.8±0.1
		2~3	21.2±0.1	37.0±0.1

Material:  
 Frame: Black, Nylon#66  
 Actuator: Black, Nylon#66+30%GF  
 Lens: Green, PC  
 Printed: None



1 - Tolerances ±0.3 Unless Otherwise Specified

								△
								△
								△
Date	Name	Description						No.
Drawn	Checked	Approved	SCI BOM No			Model Name	ROCKER SWITCH	
會敏捷			Customer No			Model No.	R13-271A2-01-BBNG-210200-1	Rev.
08/08/17	8/9-17	8/9-17	Unit	mm	Shin Chin Industrial Co., Ltd.			X0