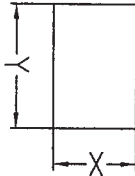
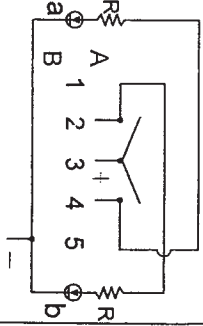
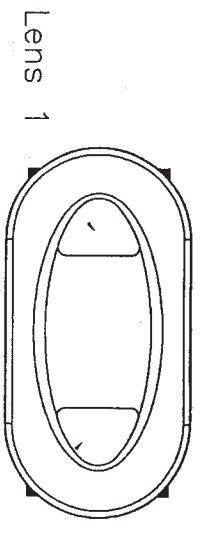
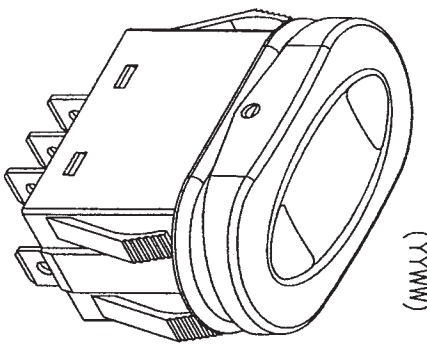
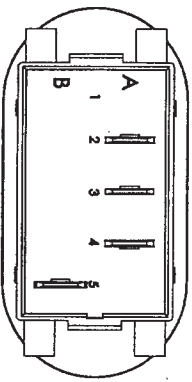
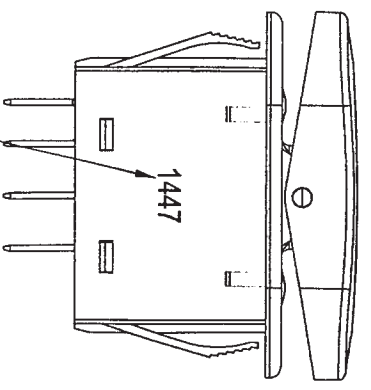
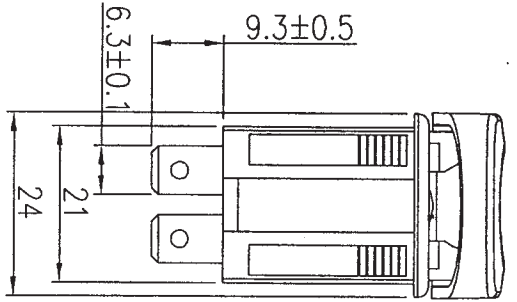
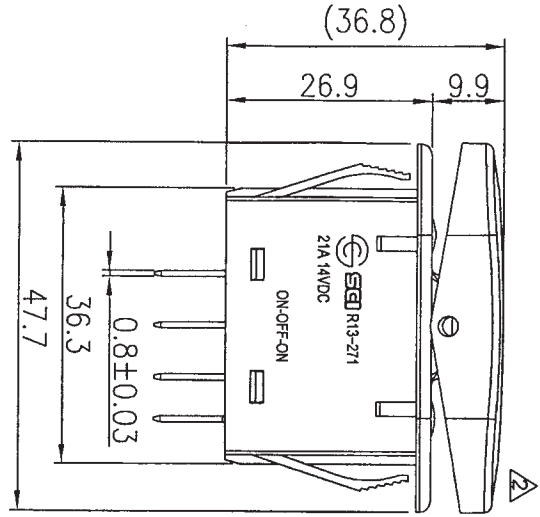


Rating	21A 14VDC	Mounting Hole		Circuit Diagram	
Contact Resistance	50m ohm Max.				
Insulation Resistance	DC 500V 100M ohm Min.				
Dielectric Strength	AC 1500V 1minute				
Operation Temperature	-20°~85°				
Switch Function	4P SPDT ON-OFF-ON				
		Thickness	X	Y	
		0.75~1.25	21.2+0.1	36.6+0.1	
		1.25~2	21.2+0.1	36.8+0.1	
		2~3	21.2+0.1	37.0+0.1	



Lens 1

Material:
 Frame: Nylon#66, Black
 Actuator: Nylon#66+30%GF, Black
 Lens1: Green, PC
 Lens2: Red, PC
 Terminal: Silver plated copper(excepted lamp terminal)
 Printed: None



TOLERANCE: ±0.3mm UNLESS OTHERWISE SPECIFIED.

11/19/14	周傑輝	依實物增加SCI logo并依MCN#RD2012176圖號R13-271D3-BBGR-22D00改為R13-271D3-BBGR-22D0500-1							
03/19/12	曹盈芳	料號有誤, 原1824282更正1824286							
Date	Name	Description							
Drawn	Checked	Approved	SCI BOM No.	1824286	Model Name	ROCKER SWITCH			
周傑輝	符三山	Spencer	Customer No.		Model No.	R13-271D3-BBGR-22D0500-1			Rev.
11/19/14	11/19-14	11/19-14	Unit	mm	Shin Chin Industrial Co., Ltd.				2