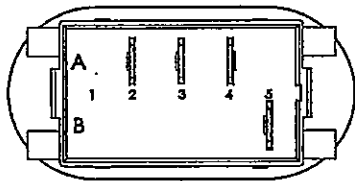
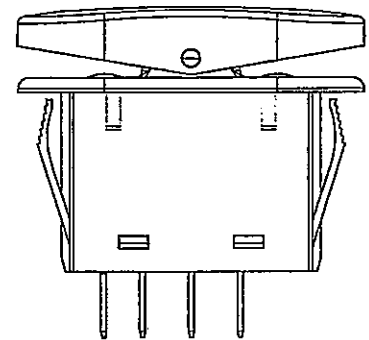
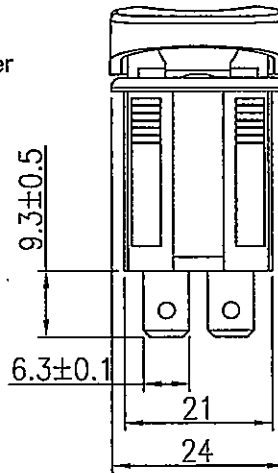
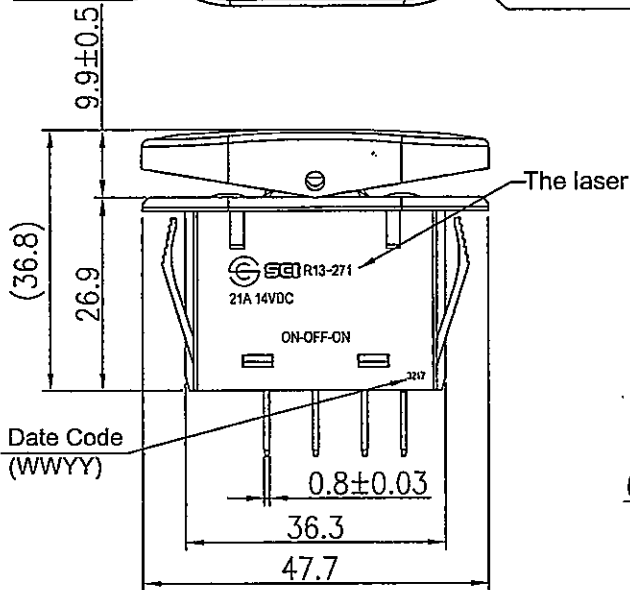
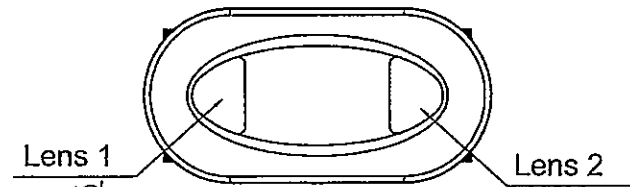


Rating	21A 14VDC	Mounting Hole	Circuit Diagram	
Contact Resistance	50m ohm Max.			
Insulation Resistance	DC 500V 100M ohm Min.			
Dielectric Strength	AC 1500V 1minute			
Operation Temperature	-20°~85°			
Switch Function	4P SPDT ON-OFF-ON (LED dependent)	Thickness	X	Y
		0.75-1.25	21.2+0.1	36.6+0.1
		1.25-2	21.2+0.1	36.8+0.1
		2-3	21.2+0.1	37.0+0.1

Material:  
 Frame: Nylon#66, Black  
 Actuator: Nylon#66+30%GF, Black  
 Lens1: Red, PC  
 Lens2: Yellow, PC  
 Terminal: Silver plated copper(excepted lamp terminal)  
 Printed: None



Tolerances ±0.3 Unless Otherwise Specified

									△
									△
Date	Name	Description						NO	
Drawn	Checked	Approved	SCI BOM No.	Model Name		ROCKER SWITCH			
曾敏捷			Customer No.	Model No.		R13-271D3-BBRY-220500-1	Rev.		
08/08/17		8/9-17	Unit	mm	Shin Chin Industrial Co., Ltd.			X0	