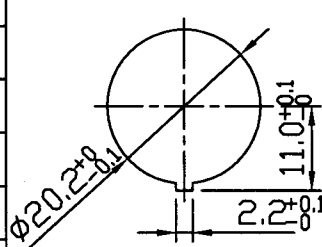
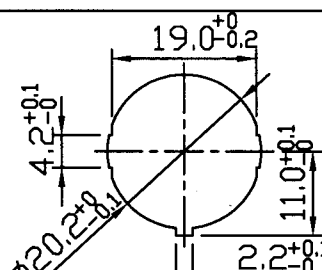
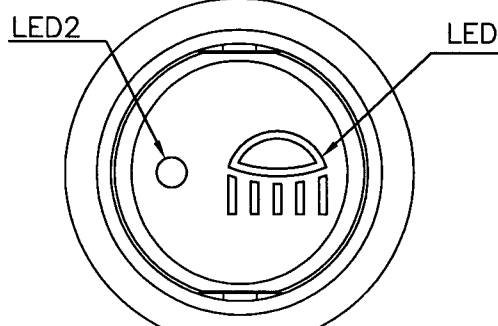


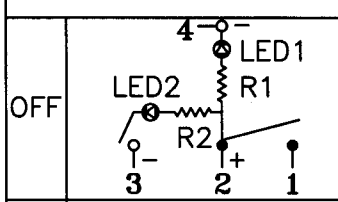
Rating	20A 14VDC	Mounting Hole	
Contact R	50m ohm Max.		
Insulation R	DC 500V 100M ohm Min.		
Dielectric Strength	AC 1500V 1 minute		
Operation Tempature	-25°~85°	Thickness:2.0~3.0	
Circuit	4P SPST ON-OFF (2LED)	Thickness:0.7~3.0	



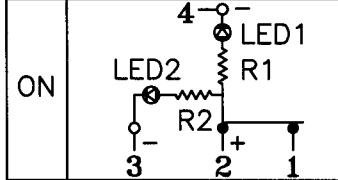
MATERIAL:  
 Frame:Black,Nylon-66  
 Rocker:Black with White clear,PC  
 LED1:Green light  
 LED2:Red light

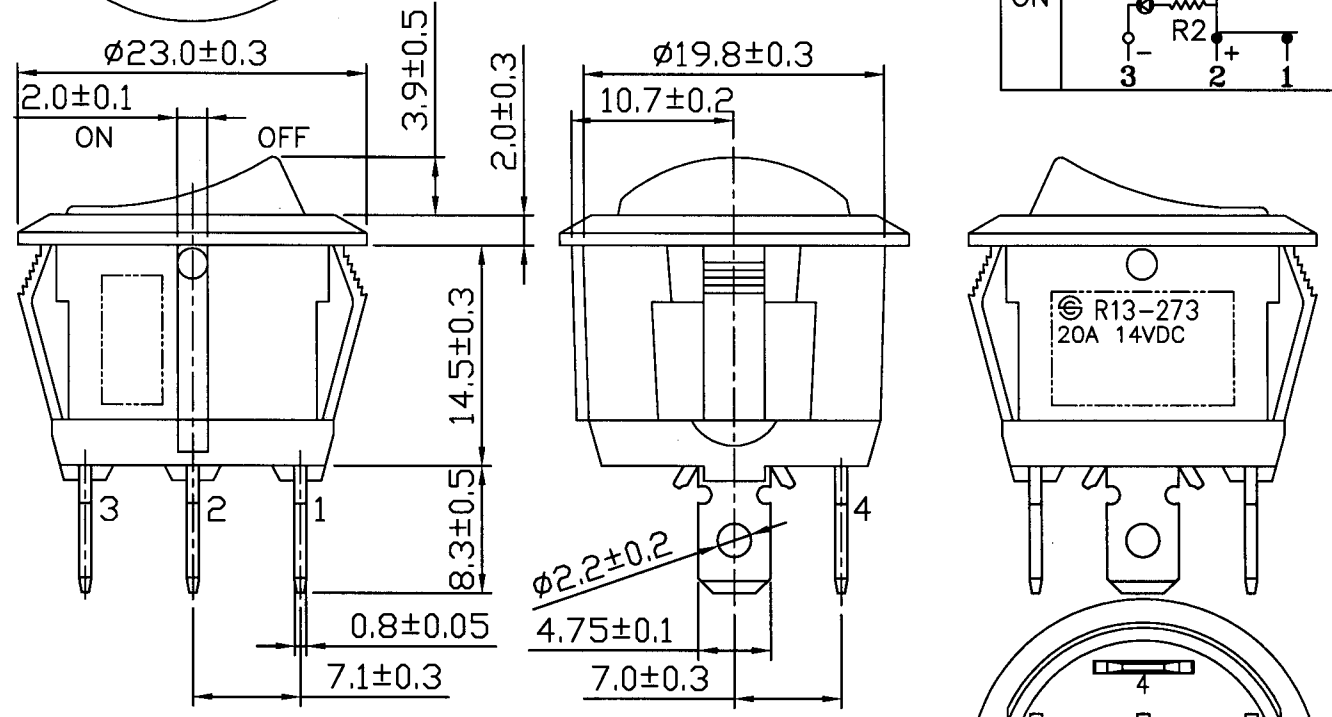
**Circuit Structure**

OFF



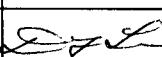
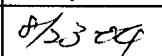
ON





原稿

C3\WORDW14\R13-273

△	Date	Name	Descriptions			
Drawing	Check	Approval	SCI No.	1822992	Model Name	ROCKER SWITCH
B.S.Wang			Customer No.		Model No.	R13-273L-02-BBGR
8/23/'04			Unit	mm	SHIN CHIN INDUSTRIAL CO., LTD.	