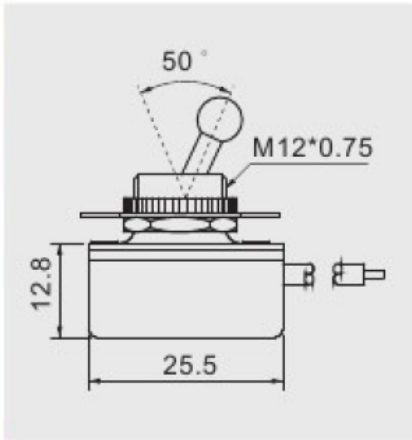


R13-36 - -



Ø 12.2

6A 12V DC

2 mm max

FEATURES

* Watertight boot (W-70B) is optional for lever#3 (refer page 71).

