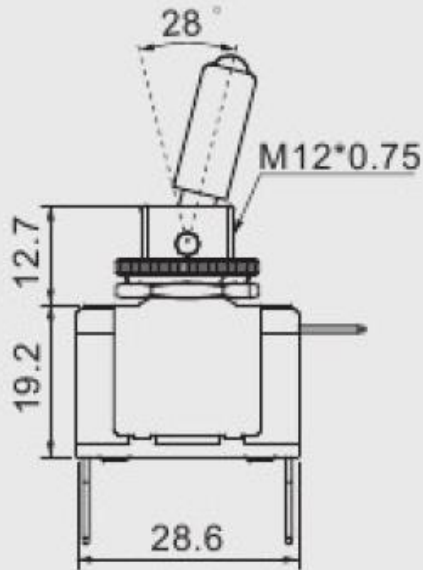


R13-404 -



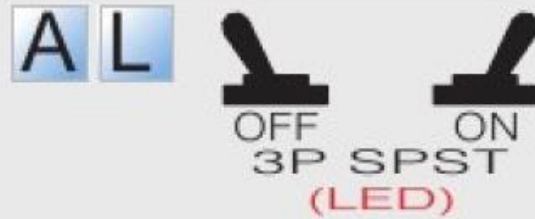
∅ 12.2
 6 mm max

20A 12V DC
 10A 24V DC

FEATURES

- * Dual color LED available for plastic lever only.
- * R13-404AL2: OFF red lighted, ON green lighted.

FUNCTION



LEVER



TERMINAL

0 1 .250" SQ

