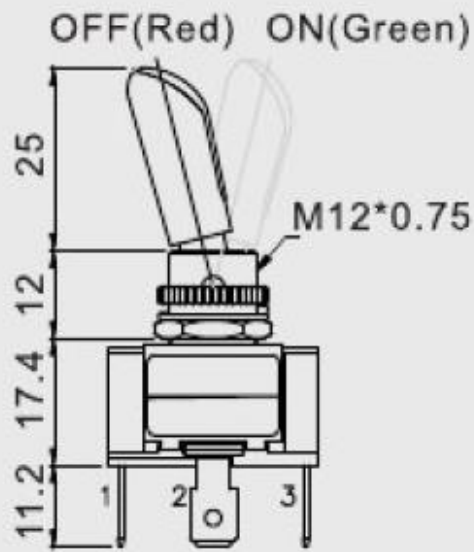
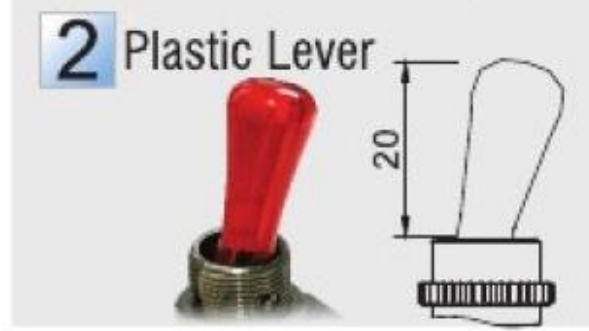


R13-423 -



∅ 12.0
 4 mm max

20A 12V DC
 10A 24V DC



TERMINAL

0 1		.250" SQ
0 5		S0
0 6		SC M3
0 7		SC M4

FEATURES

- * Dual color LED available for plastic lever only.
- * R13-423L4: OFF red lighted, ON green lighted.

