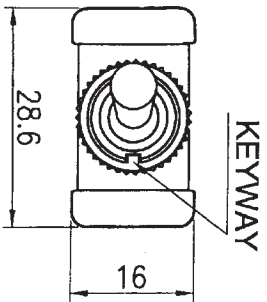
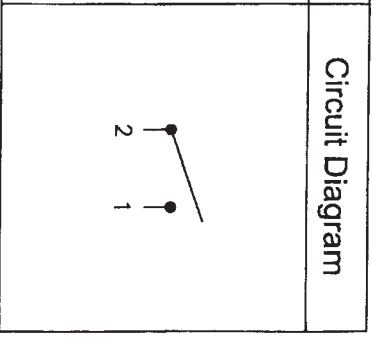
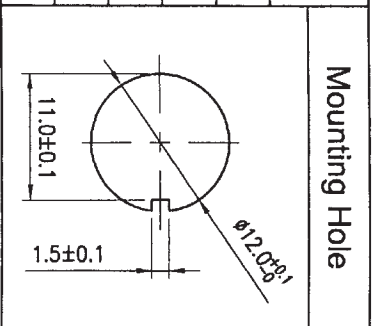
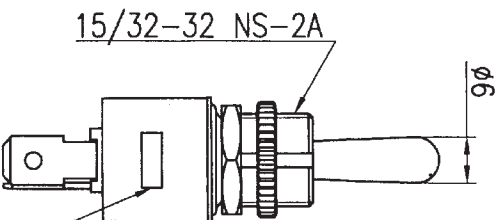
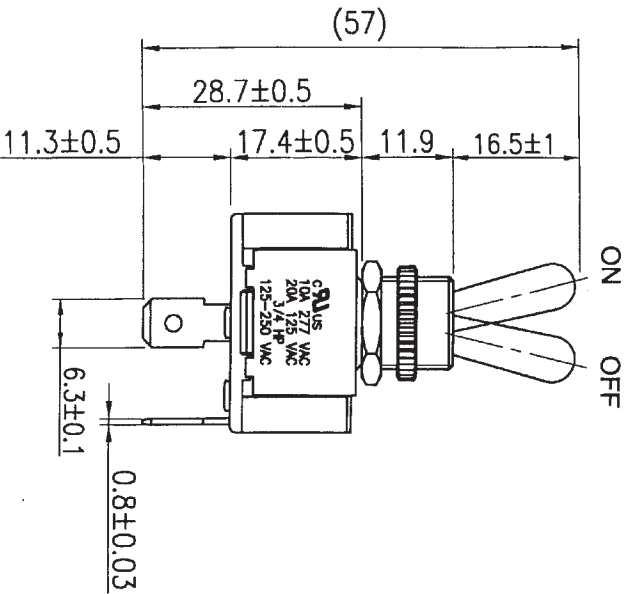


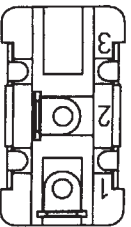
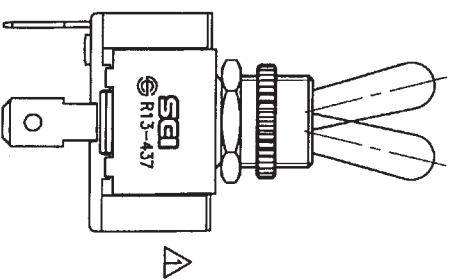
Rating	20A 125V AC 10A 277V AC 3/4HP 125-250V AC	<b>SAI</b> us
Contact Resistance	50m ohm Max.	
Insulation Resistance	DC 500V 100M ohm Min.	
Dielectric Strength	AC 1500V 1 minute	
Operation Temperature	0°C-65°C	
Switch Function	2P SPST ON-OFF	



- 1 HEX NUT ASSY
- 1 KNURL NUT ASSY



DATE CODE  
(MMYY)



Tolerances ±0.3 Unless Otherwise Specified



4/14/15	黃洋	依現況修改	Date Code "YYMM"為"MMYY"					
4/16/12	Ruby	Add SCI LOGO						
Date	Name	Description						
Drawn	Checked	Approved	SCI BOM No.	1812217	Model Name	TOGGLE SWITCH		
黃洋	<i>[Signature]</i>	<i>[Signature]</i>	Customer No.		Model No.	R13-437A1-01B-HR		
4/14/15	4/14-15	4/21-15	Unit	mm	Shin Chin Industrial Co., Ltd.			Rev. 2