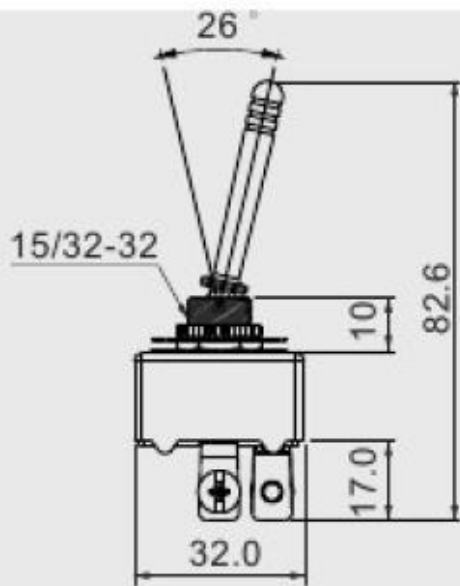


# R13-453       -



50A 12V DC

∅ 12.2

3 mm max

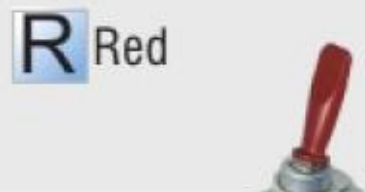
## FUNCTION



## LEVER



## LEVER COLOR



## TERMINAL

**0** **7** SC M4

