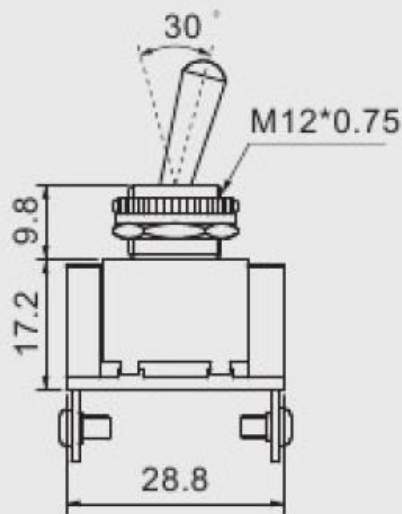


R13- -



∅ 12.2

4 mm max

20A 12V DC
10A 24V DC

FEATURES

* Watertight boot (W-70B) is optional (refer page 71).

FUNCTION



TERMINAL

