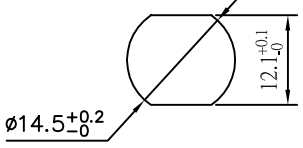
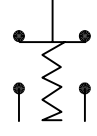
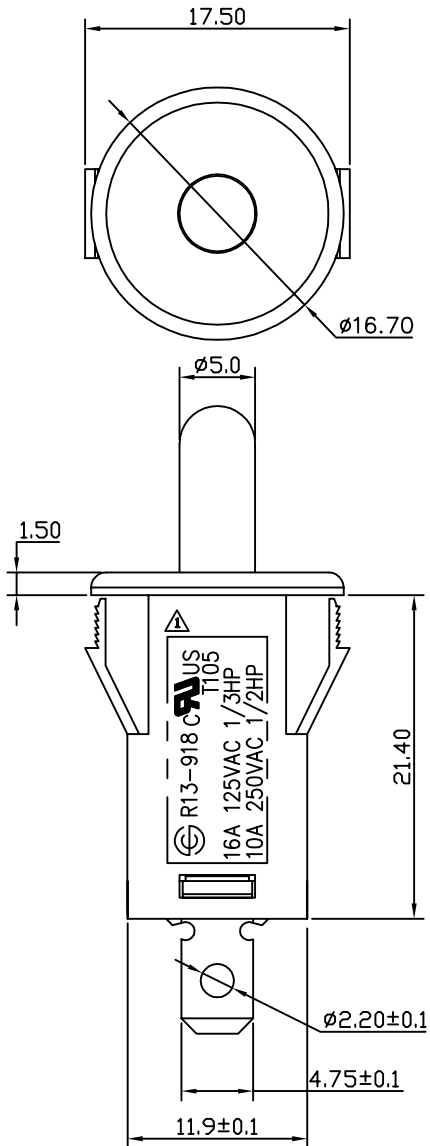
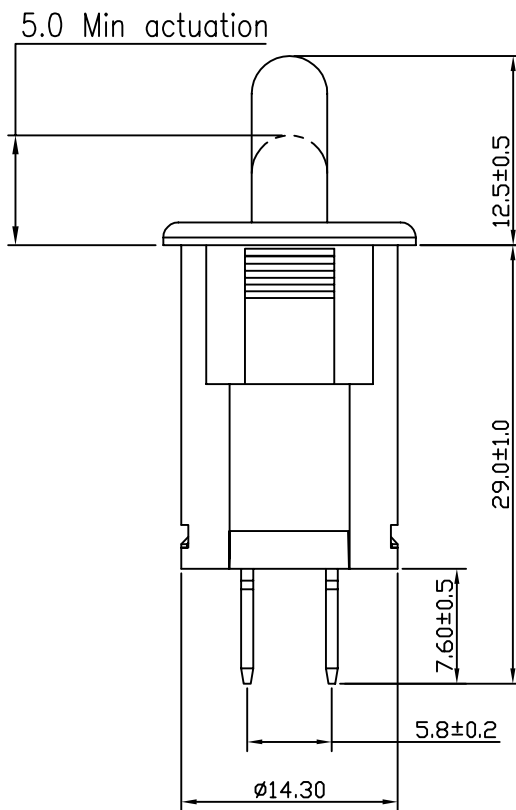


Rating	16A 125VAC 1/3HP 10A 250VAC 1/2HP C ^{RA} US T105		
Contact Resistance	50m ohm Max.		
Insulation Resistance	DC 500V 100M ohm Min		
Dielectric Strength	AC 1500V 1 Minute		
Operation Temperature	-20°~85°		
Switch Function	2P SPST (ON)-OFF		



Frame : Nylon66 94V-0 BK
 Actuator : Nylon66 94V-0 BK
 Terminal : Silver Plated Brass
 ⚠ Operation Force:100±25gf



Notes: Tolerance ± 0.3 Unless Otherwise Specified

C8\R13\R13-918(1910034)_2

06/14/'07	楊平	Add Operation Force Symbol							⚠
04/20/'07	楊平	Add The Rating Symbol							⚠
Date	Name	Description							NO
Drawn	Checked	Approved	SCI BOM No.	1910034	Model Name	Push Switch			
鐘燕康	楊金江	李景煌	Customer No.		Model No.	R13-918			REV.
11/14/'07	11/15/'07	11/21/'07	Unit	mm	SHIN CHIN INDUSTRIAL CO., LTD.				2