
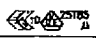
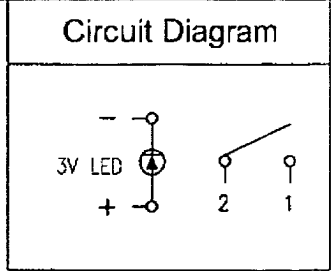
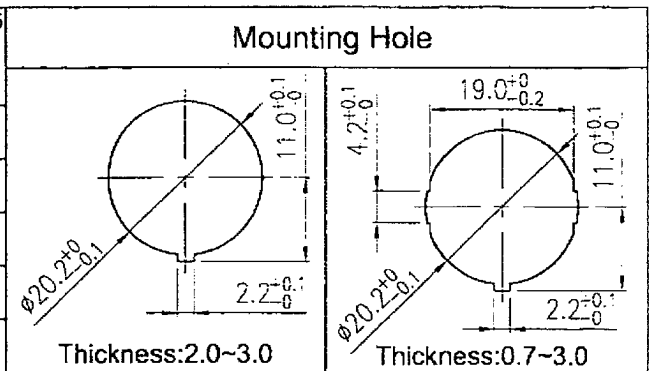
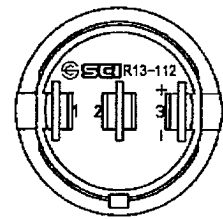
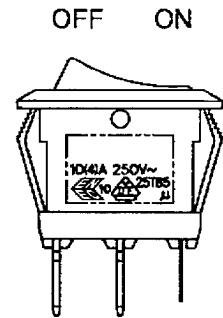
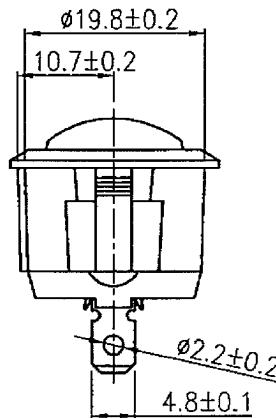
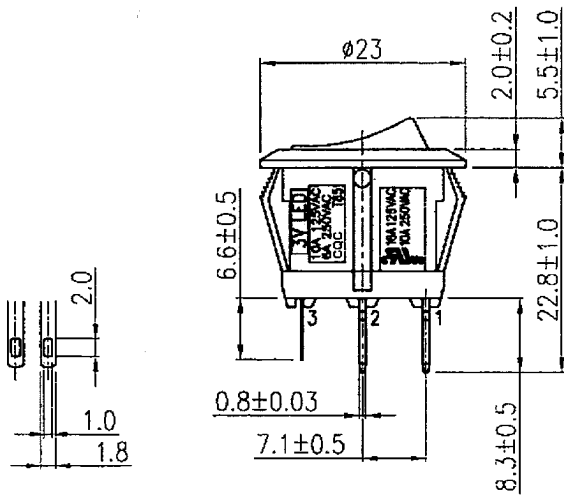
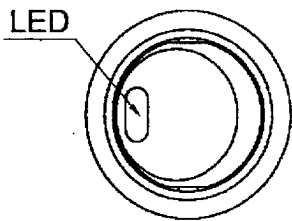


Rating	10A125VAC 6A 250VAC CQC T85 16A125VAC 10A250VAC  10(4)A 250V~ 
Contact Resistance	50m ohm Max.
Insulation Resistance	DC 500V 100M ohm Min.
Dielectric Strength	AC 1500V 1 minute
Operation Temperature	-25°C~85°C
Switch Function	4P SPST ON-OFF (LED Independent)

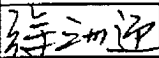
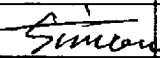



Material:
 Frame: Black, Nylon 66
 Actuator: Black, Nylon 66
 Lens: Clear, PC
 LED: Red



原稿
2014.5.-7
研發部

Tolerances ±0.3 Unless Otherwise Specified

Date	Name	Description			No.	
Drawn	Checked	Approved	SCI BOM No	1820868	Model Name	ROCKER SWITCH
周傑輝			Customer No		Model No.	R13-112L-02
4/22/14	4/28-14	4/28-14	Unit	mm	 Shin Chin Industrial Co., Ltd.	Rev. 0