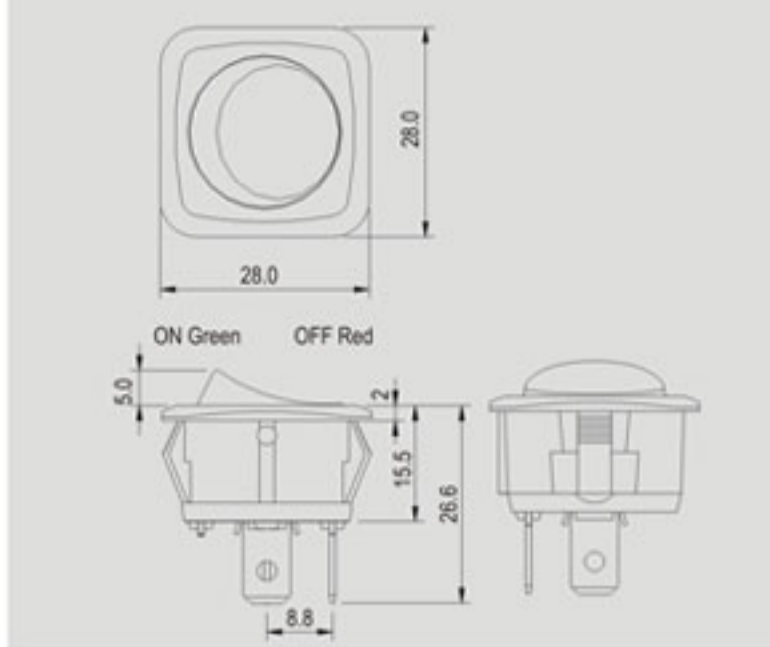


R13-203



Rating
16A 125V AC 10A 250V AC
Contact resistance
50m Ω Max
Insulation resistance
DC 500V 100M Ω Min
Dielectric strength
AC 1500V 1 minute
Cut-out
 1~4.0 mm max
Cut-out for X8 ROCKER
 1~3.0 mm max

FEATURES

- * **MATERIAL:** Frames are nylon (UL flame: 94V-2). Terminals are silver plated brass.
- * Illuminated actuators are molded in PC, available with red, amber and green colors.
- * Snap-in mounting, easy to install switch into panel.
- * New design AC LED.



Ordering number instruction

R13-203 - - -

FUNCTION		ROCKER	TERMINAL
Illuminated / Different position (帶燈/動作特性不同)		1 A,B,C, AL,CL 	0 2 .187" SQ
A ON (Green) 3P SPST (LED) OFF (Red)	B ON 3P SPST (NEON) OFF 125VAC 33K Ω / 250VAC 150K Ω	2 Laser mark AL,CL 	FRAME COLOR ROCKER COLOR LED COLOR(ON,ON) LED COLOR(OFF,ON) COLOR A AMBER B BLACK G GREEN C CLEAR R RED N NONE
C ON (Green) 4P SPDT (LED) ON (Red)	A ON 2P SPST OFF	3 Green Red A,C,AL,CL 	VOLTAGE 4 125VAC(110VAC) 5 250VAC(220VAC)
Different position (動作特性不同)		4 A8,B8,C8 	ACTUATOR MARKING Optional legend on actuator, see page A4.
Waterproof (防水)			
A ON 2P SPST OFF	B ON 3P SPST (LED) OFF		
C ON 3P SPDT ON			