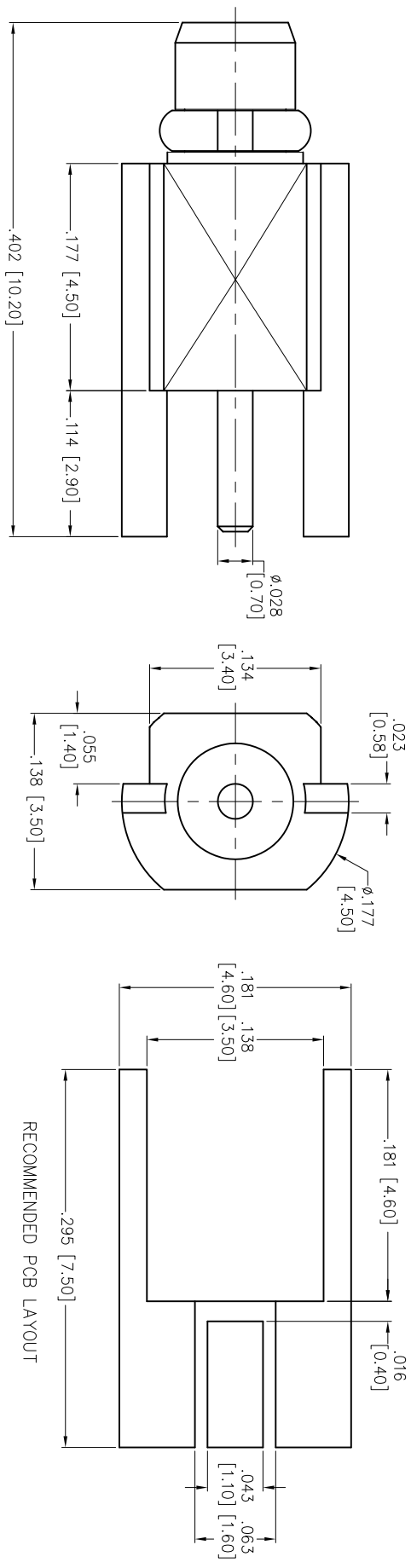


Rev	AWO #	Description	Date	Appr
-		RELEASED	8/5/15	

APPROVED: _____
 DATE: _____ TITLE: _____



RING	BE CU	GOLD
CONTACT PIN	BRASS	GOLD
INSULATOR	PTFE	WHITE
BODY	BRASS	GOLD
DESCRIPTION	MATERIAL	FINISH

SPECIFICATIONS:

Electrical:
 Nominal Impedance: 50 ohms
 Frequency range: 0-6 GHz
 Working Voltage: 170 VOLTS Max
 Proof Voltage: 500 VOLTS
 Temperature Rating:
 Operating temperature: -55°C to +155°C
 Environmental:
 Lead free, RoHS compliant.



PACKAGED ON TAPE & REEL

UNLESS OTHERWISE SPECIFIED
 ALL DIMENSIONS ARE INCHES [MM]
 TOLERANCES: EXCEPT AS NOTED
 INCHES Holes ±.10
 .XX ±.020
 .XXX ±.015
 APPROVALS DATE

DRAWN	AY	8/5/15
CHECKED	MW	8/5/15
APPROVED		

ADAM TECH
 909 Railway Avenue, Union, NJ 07083
 Phone: 908-687-5000 Fax: 908-687-5710
RF CONNECTOR, TYPE MMCX STR.
50 OHM, PCB MOUNT, PLUG

REF: S00277T	SCALE: NTS	SHEET 1 OF 1
SIZE X	PART NO. RF12-35-I-00-50-G-T/R	REV. -