

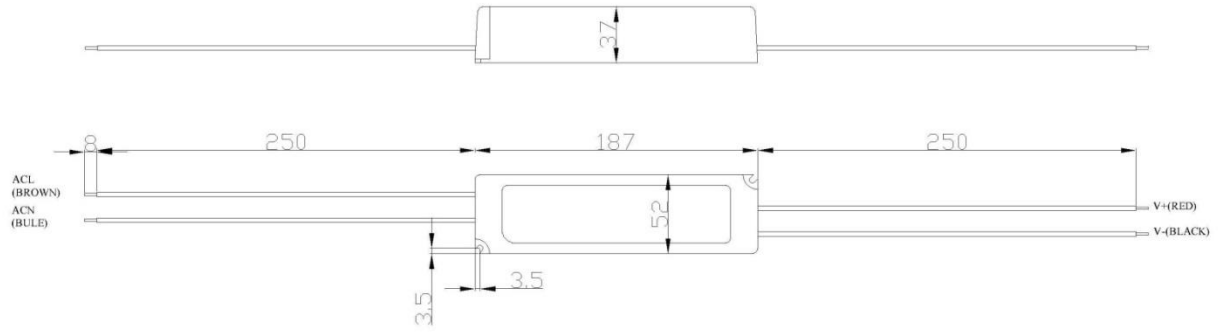
Operating Temperature : -20 ~ +50 [°C]
 Dimension : 187 x 52 x 37[mm]
 LED driver : Constant Voltage

Approvals / Marks : **CE IP67**



Features:								
Constant voltage mode power supply - Suitable for LED lighting and moving sign applications								
Universal AC input / Fully encapsulated with IP67 (for indoor and outdoor use) Full range								
Fully encapsulated with IP67 level								
Protections: Over current / Over Voltage / 100% full load burn -in test								
Specification:								
		OUTPUT						
	Model	Voltage DC	min. Load [A]	max. Load [A]	Output Tol	Efficiency [%]	Max. Power	Ripple & Noise
		[V]			[%]		[W]	[mV] p-p
	ACL-CV-100-12	12	0	8,3	±3%	82	100	<200mV
INPUT	Voltage	(100 ~ 240)V AC						
	Frequency	(47 ~ 63)Hz						
	Current	0.7A/220V AC 1.4A/100V AC						
	Inrush Current max.	30A/220V AC @ cold start						
	Leakage current	0.25mA/240V AC						
PROTECTION	Over current	Above 150% ~ 200% rated output power or short circuit. Protection type: Hiccup mode, recovers automatically.						
	Over Voltage	Protection type: Hiccup mode, recovers automatically.						
	Protection class	Class 2						
	Over temperature	Tj140° C typically (IC1) Detect on main control IC Protection type: Hiccup mode, recovers automatically after temperature goes down.						
	No Load Operation	<1W						
OTHERS	Isolation Resistance	I/P-O/P: >100MΩ / 500VDC / 25% 70% RH						
	Set up time	500ms						
	Hold-up Time	50ms/240VAC at full load						
	MTBF Qualification	50K hours @ full load and 25 °C						
	AC cable / DC cable	18AWG 250mm Striped&Tinned 18AWG 250mm Striped&Tinned						
	Rise time	250ms						
	Line regulation	±1.0%						
	Load regulation	±2.0%						
	Temperature	Operating: (-20 ~ +50)*°C / Storage: (-40 ~ 80)*°C						
ENVIRONME NT	Humidity	Operating: (20 ~ +90)%RH / Storage: (10 ~ 95)%RH Non -condensing						
	Vibration	10 ~ 500Hz, 2G 10min./1cycle, period for 60min. each along X,Y, Z axes						
	Temp. Coefficient	±0.03%/°C (0~50° C						
CERTIFICATION & SAFETY		Safety EN61347-1, EN61347-2-13 Immunity EN61547 Harmonic EN61000 -3-2 Magnetic Emission EN55015 RoHS compliant CE						
SAFETY & EMC	Withstand voltage	I/P-O/P: 3KVAC						
	Safety standards	Design refer to UL1310 Class 2, TUV EN60950 -1, EN61347-2-13, CAN/CSA C22.2 No. 223-M91, meet IP67						
	EMS Immunity	Compliance to EN61000 -4-2, 3, 4, 5, 6, 8, 11; EN55024, EN55024, light industry level, criteria A						
	EMI conduction & radiation	Compliance to EN55022 (CISPR22) Class B						
Harmonic current	EN61000-3-2, -3							
ACL-CV-100-12								
WEIGHT	1pc	N.W.: 594g G.W.: 627g						
		0.38x 0.36 x 0.18 [m]						
PACKING	Box	20pcs / 1box						
		G.W.: 13kg / box						

Mechanical case specification:



X-ON Electronics

Largest Supplier of Electrical and Electronic Components

Click to view similar products for [LED Power Supplies](#) category:

Click to view products by [Cellevia](#) manufacturer:

Other Similar products are found below :

[ESS015W-1000-12](#) [EUC-075S105DT](#) [PDA-WIFI](#) [PIFC-K250F](#) [PITB-K222A](#) [ALD-514012PJ134](#) [LB240S24KH](#) [LMH020-SPLC-0000-0000001](#) [79534](#) [79535](#) [EUG-200S210DT](#) [ESS030W-1050-21](#) [ESS030W-0900-32](#) [BPOXL 4-12-035](#) [SLM160W-3.9-40-ZA](#) [ESS010W-0180-42](#) [ESS010W-0350-24](#) [ESS010W-0200-42](#) [PDA080B-1A0G](#) [PDA150B-S1A5G](#) [ZPS-20](#) [SLM140W-1.05-130-ZA](#) [ESS040W-1400-27](#) [ESS015W-0700-18](#) [ESS010E-0250-42](#) [EDC-100S105SV-0007](#) [79278](#) [EUD-150S350DVA](#) [LWA320-C420-ARK-B](#) [50304](#) [HVG-320-36AB](#) [HVG-320-54AB](#) [OT FIT 50/220-240/300 D L](#) [OT FIT 35/220-240/350 D CS L](#) [OT FIT 65/220-240/350 D CS L](#) [ELEMENT 30/220-240/700 S](#) [LC 75W 100-400MA 1-10V LP EXC](#) [LCA 35W 150-700MA ONE4ALL LP PRE](#) [LCA 50W 100-400MA ONE4ALL LP PRE](#) [LCA 50W 350-1050MA ONE4ALL LP PRE](#) [LCA 50W 350-1050MA 2XCH LP PRE](#) [LCI 150/325-1050/300 O4A SL PRE](#) [LCA 75W 100-400MA ONE4ALL LP PRE](#) [LCA 45W 500-1400MA ONE4ALL SC PRE](#) [LC 50W 100-400MA FLEXC LP EXC](#) [LCA 75W 350-1050MA ONE4ALL LP PRE](#) [LC 50W 350-1050MA FLEXC LP EXC](#) [LC 75W 350-1050MA FLEXC LP EXC](#) [LCA 75W 900-1800MA ONE4ALL LP PRE](#) [LCA 100W 250-700MA ONE4ALL LP PRE](#)