



RLT-B

Brakes for ELEROLL roller tracks

Technopolymer



Main specifications

Material

Polyamide based (PA) technopolymer, black colour.

Standard executions

- **RLT-BR**: brake for RTL-U roller elements.
- **RLT-BRS**: brake for RTL-U roller elements with stop device.

General information

Features and applications

RLT-B brakes allow to slow down and/or stop packages handled on ELEROLL roller tracks.

The brakes are snap-in assembled on RLT-U roller elements without the need for screws or other fasteners.

RLT-BR brake can be assembled on the upper side of RLT-U-PA and RLT-U-TPU roller elements (Fig. 1) or on the lower side of the RLT-U-TPU roller elements (Fig. 2).

*Trademark application

Fig.1

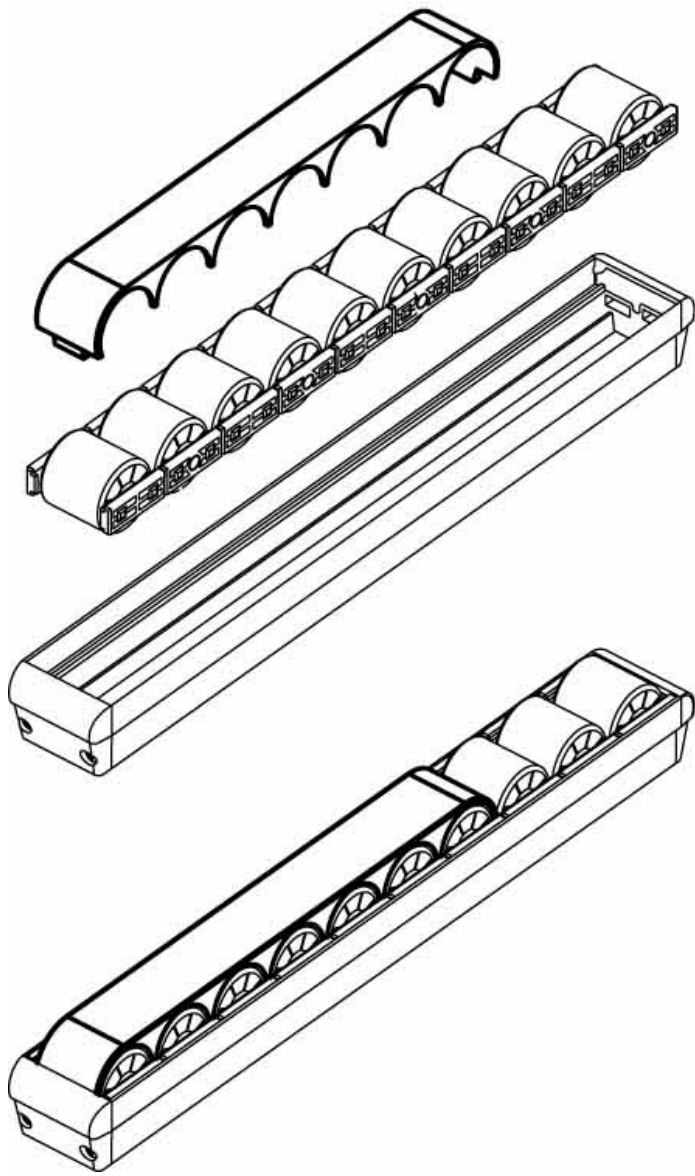
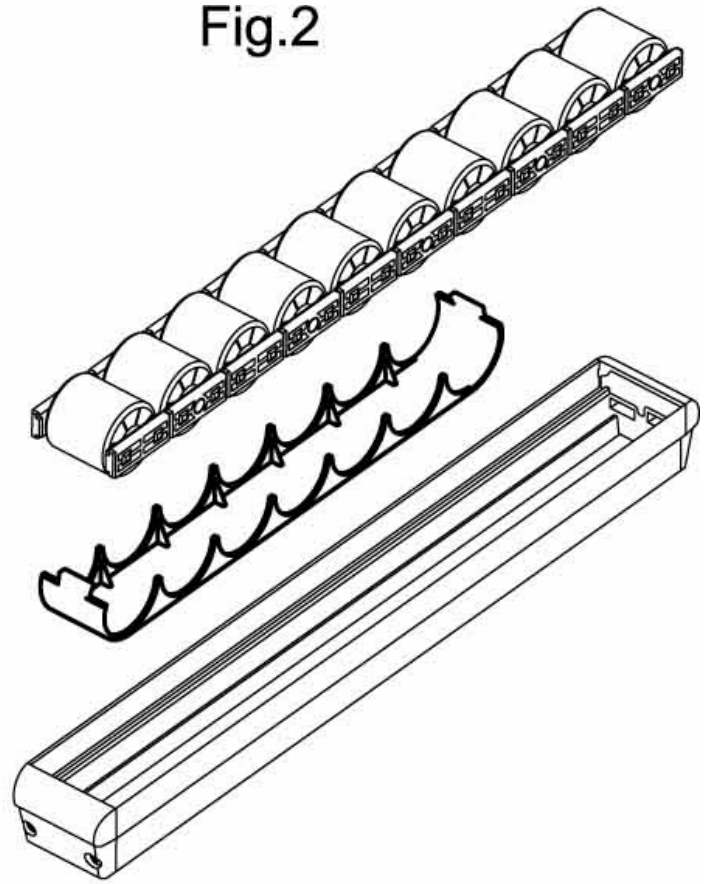
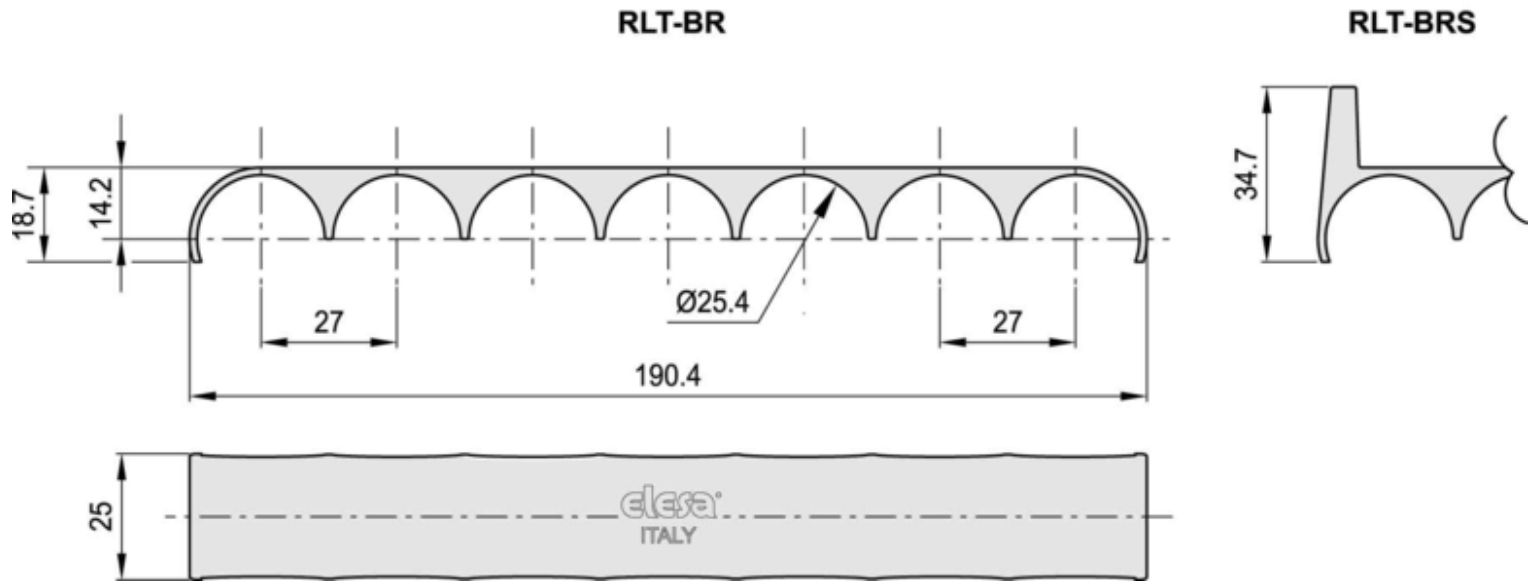


Fig.2





Code	Description	Weight
429831	RLT-BRS	14

Code	Description	Weight
429836	RLT-BR	12