



# RLT-M

## Bracket and support for ELEROLL roller tracks

Technopolymer



---

### Main specifications

---

#### Material

Polyamide based (PA) technopolymer, black colour.

#### Standard executions

- **RLT-MB**: bracket.
- **RLT-MS**: support.
- **RLT-MS-A12**: support with connecting rod and M6 cylindrical head screw with hexagon socket.

---

### General information

---

#### Features and applications

The bracket and the support facilitate the mounting of ELEROLL roller tracks on machines and other supporting structures.

---

### Mounting

---

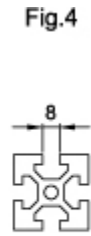
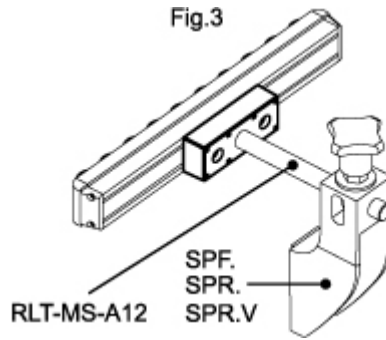
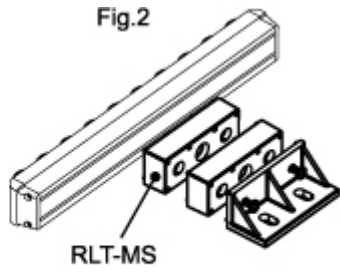
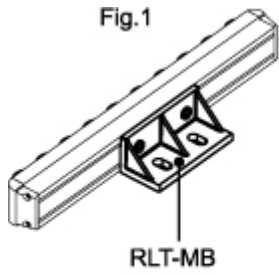
#### Mounting

The bracket and the support are equipped with dowels that are housed in the slots in the lower side of RLT-AL aluminum profiles (Fig. 1) and in special counterseats on the same support for the combination of more supporting elements (Fig. 2).

RLT-MB bracket is compatible with profiles having a slot of 8 mm width (Fig.4).

The bracket and the support allow to mount ELEROLL roller tracks in different configurations. Some examples are shown in Fig.1, Fig.2 and Fig.3.

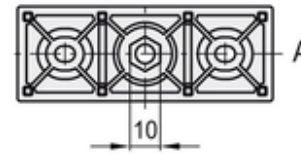
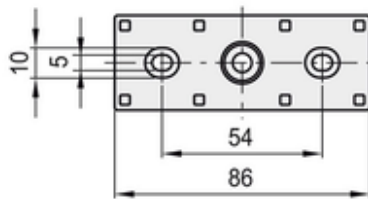
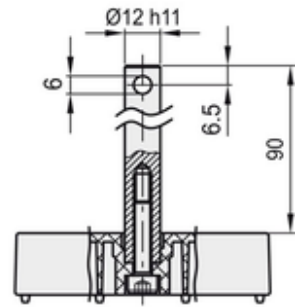
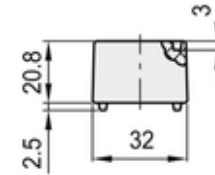
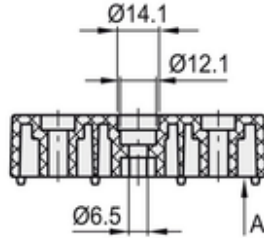
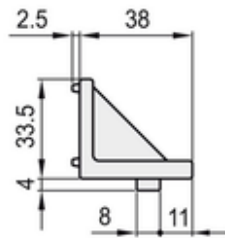
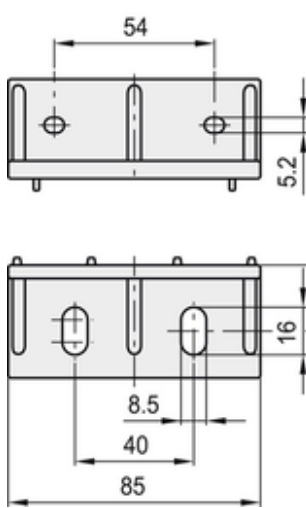
\*Trademark application



**RLT-MB**

**RLT-MS**

**RLT-MS-A12**



Code	Description	Weight
<b>429841</b>	RLT-MB	35

Code	Description	Weight
<b>429846</b>	RLT-MS	49

Code	Description	Weight
<b>429848</b>	RLT-MS-A12	145